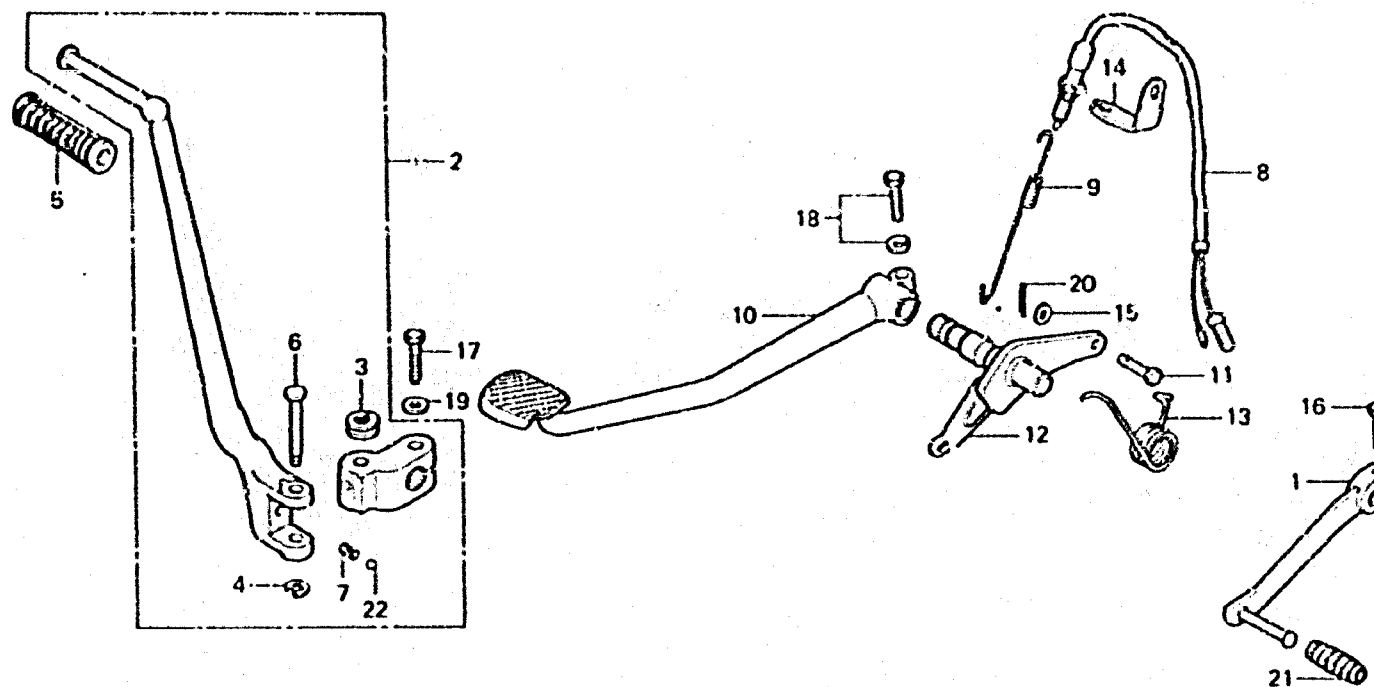


M 12

F-18

Change pedal • Brake pedal •
Kick starter arm



B410-24

Service item	F.R.T.	Ref. No.	Part No.	Description	Reqd. No. CB750 F2 F3	Serial No.	Area code
REAR BRAKE PEDAL SPINDLE COMP./ BRAKE PEDAL SPRING	0.3	1	24701-410-000	PEDAL, GEAR CHANGE	1 1		
KICK STARTER KNUCKLE PIN	0.2	2	28240-392-000	ARM ASSY., KICK STARTER	1 1		
KICK STARTER ASSY./RUBBER	0.1	3	28292-250-010	SPRING, KICK STARTER	1 1		
REAR BRAKE PEDAL		4	28293-250-000	CLIP, KICK STARTER KNUCKLE PIN	1 1		
GEAR CHANGE PEDAL/RUBBER		5	28311-329-000	RUBBER, KICK STARTER	1 1		
		6	28321-300-000	PIN, KICK STARTER KNUCKLE	1 1		
		7	28333-300-000	SPRING, KICK STARTER STOPPER	1 1		
		8	35350-086-721	SWITCH ASSY., STOP	1 1		
		9	35357-107-010	SPRING, STOP SWITCH	1 1		
		10	46500-410-000	PEDAL, RR. BRAKE	1 1		
		11	46503-371-000	PIN, BRAKE ROD	1 1		
		12	46510-410-000	SPINDLE COMP., RR. BRAKE PEDAL	1 1		
		13	46514-410-000	SPRING, BRAKE PEDAL	1	1011571	DK,DM,E,ED,F,G,U A,CM
			46514-410-770	SPRING, BRAKE PEDAL	1	1011572	DK,DM,E,ED,F,G,U
		14	50146-410-000	BRACKET, STOP SWITCH	1 1		
		15	90501-310-000	WASHER, 7X12	1 1		
		16	92000-06020	BOLT, HEX., 6X20	1 1		
		17	92000-08028-08	BOLT, HEX., 8X28	1 1		
		18	93482-08028-00	BOLT-WASHER, 8X28	1 1		
		19	94102-08200	WASHER, PLAIN, 6MM	1 1		
		20	94201-16150	PIN, SPLIT, 1.6X15	1 1		
		21	95011-40000	RUBBER, CHANGE PEDAL	1 1		
		22	96211-08000	BALL, STEEL, 88 (1/4)	1 1		

1978.09.10