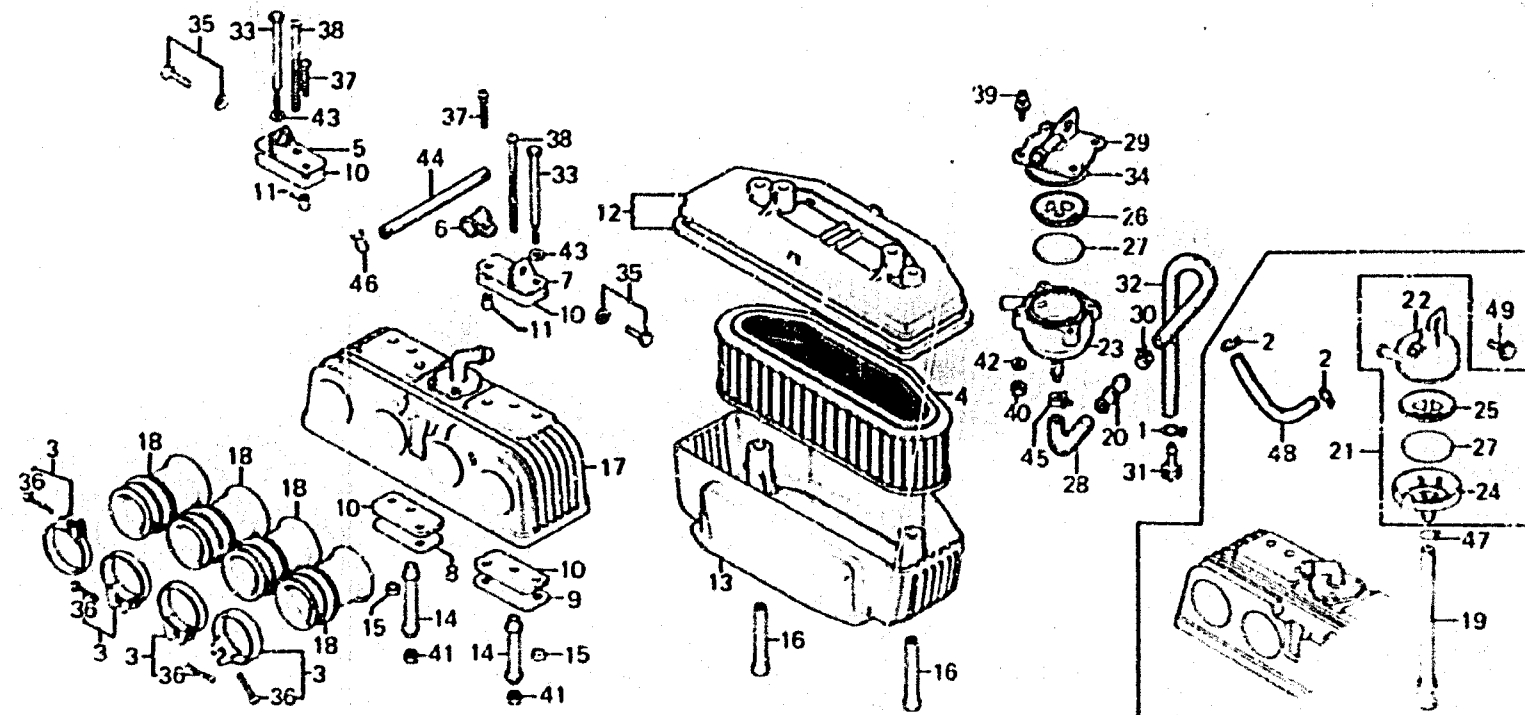


M 8

F-16

Air cleaner



B410-22A

Service item	F.R.T.	Ref. No.	Part No.	Description	Reqd. No. CB750 F2 F3	Serial No.	Area code
		23	17361-405-770	BODY, CONDENSATION CHAMBER	1		
		24	17362-405-000	CUP A, CONDENSATION	1		
		25	17363-405-000	HOLDER, ELEMENT	1		
		26	17363-405-770	HOLDER, ELEMENT	1		
		27	17364-405-000	ELEMENT A, CONDENSATION	1		
		28	17365-405-770	TUBE A, DRAIN	1		
		29	17366-405-770	COVER, CHAMBER	1		
		30	17369-419-670	CLIP A13.5, TUBE	1		
		31	17370-419-700	PLUG, BREATHER TUBE	1	2250001	A
		32	17376-405-770	TUBE B, DRAIN	1		
		33	90143-392-000	BOLT, AIR CLEANER COVER	2		
		34	91305-405-770	O-RING, 62X2.5	1		
		35	93483-06012-00	BOLT-WASHER, 6X12	2		
		36	93500-05020-0A	SCREW, PAN, 5X20	4		
		37	93500-06020	SCREW, PAN, 6X20	2		
		38	93500-06080	SCREW, PAN, 6X80	2		
		39	93891-04020-00	SCREW-WASHER, 4X20	4		
		40	94001-04090	NUT, HEX., 4MM	4		
		41	94001-06000	NUT, HEX., 6MM	2		
		42	94101-04000	WASHER, PLAIN, 4MM	4		
		43	94101-06000	WASHER, PLAIN, 6MM	2		
		44	95001-35170-40	TUBE, FUEL, 3.5X170	1		
		45	95002-01160	CLIP A16, TUBE	1		
		46	95002-02070	CLIP B7, TUBE	1		
		47	95002-70000	CLIP C11, TUBE	1		

1978.09.10