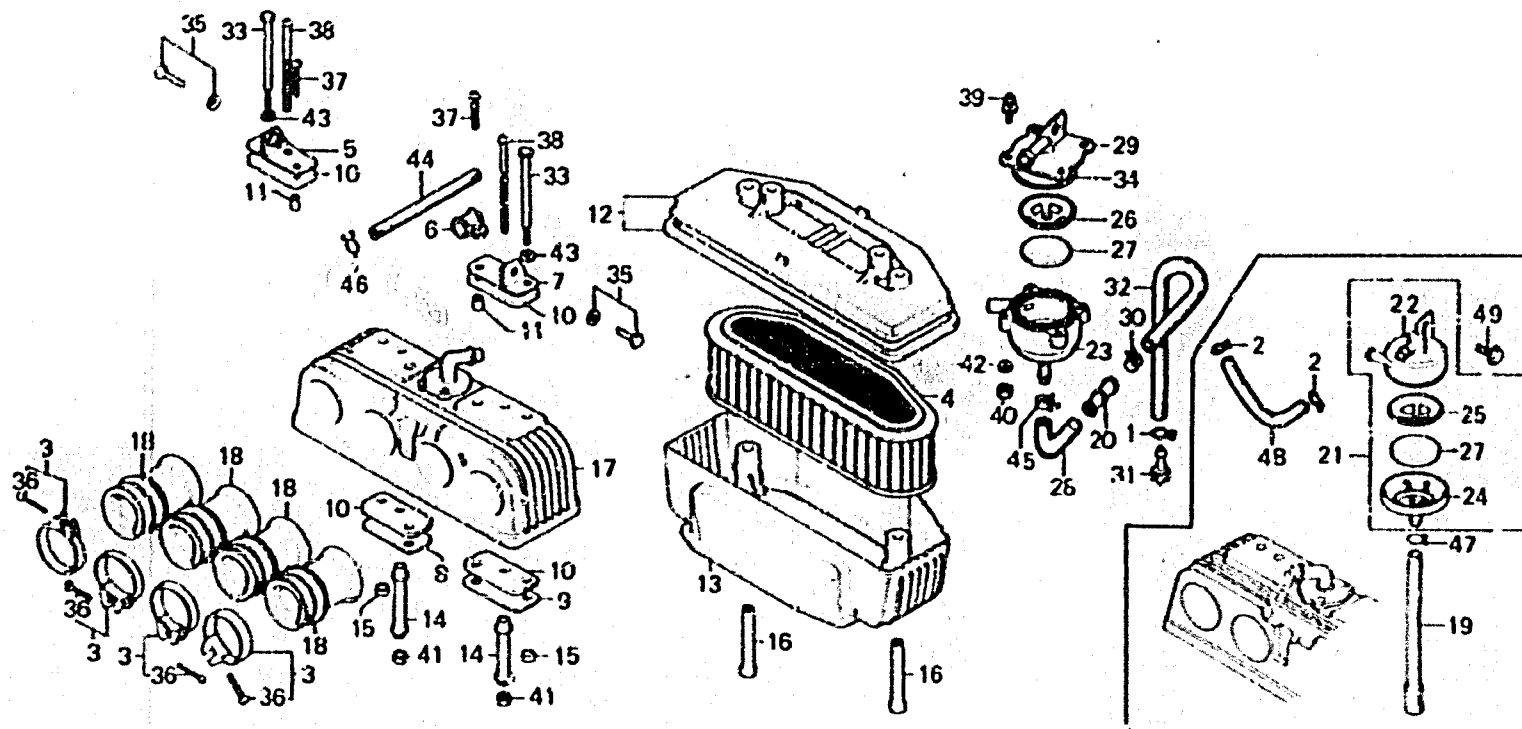


M 7

F-16

Air cleaner



B410-22A

Service item	F.R.T.	Ref. No.	Part No.	Description	Reqd. No. CB750 F2 F3	Serial No.	Area code
ELEMENT A, CONDENSATION and its related parts	0.5	1	15707-634-000	CLIP, OIL DRAIN	1	2250001	A
		2	15772-551-000	CLIP, TUBE	2		
AIR CLEANER CASE	0.7	3	16223-283-000	BAND, CARBURETOR INSULATOR	4		
AIR CLEANER CASE SEPARATOR	0.6	4	17211-405-000	ELEMENT, AIR CLEANER	1		
and its related parts		5	17215-392-000	STAY, R. AIR CLEANER CASE	1		
AIR CLEANER ELEMENT/AIR CLEANER CASE COVER	0.3	6	17215-392-780	CLIP, AIR VENT TUBE	1		
		7	17216-392-000	STAY, L. AIR CLEANER CASE	1		
		8	17217-392-000	PLATE, R. AIR CLEANER CASE	1		
		9	17218-392-000	PLATE, L. AIR CLEANER CASE	1		
• AIR CLEANER CONNECTING TUBE		10	17219-392-000	RUBBER, AIR CLEANER CASE MOUNT	4		
		11	17220-300-010	COLLAR, CLEANER CASE SETTING	2		
		12	17230-405-305	SEPARATOR COMP., AIR CLEANER CASE	1		
		13	17231-392-000	COVER, AIR CLEANER	1		
		14	17237-392-000	COLLAR, AIR CLEANER CASE	2		
		15	17238-392-000	NUT A, AIR CLEANER COVER	2		
		16	17239-392-000	NUT B, AIR CLEANER COVER	2		
		17	17240-405-305	CASE COMP., AIR CLEANER	1	1001091	DK, DM, E, ED, F, J, U A, CM
			17240-405-315	CASE COMP., AIR CLEANER	1	1001092	DK, DK, E, ED, F, J, U
		18	17253-405-300	TUBE, AIR CLEANER CONNECTING	4		
		19	17358-410-000	TUBE ASSY., GRAIN	1		
		20	17359-419-670	JOINT, BREATHER TUBE	1		
		21	17360-405-000	CHAMBER ASSY., CONDENSATION	1		
		22	17361-405-000	BODY A, CONDENSATION	1		

1978.09.10