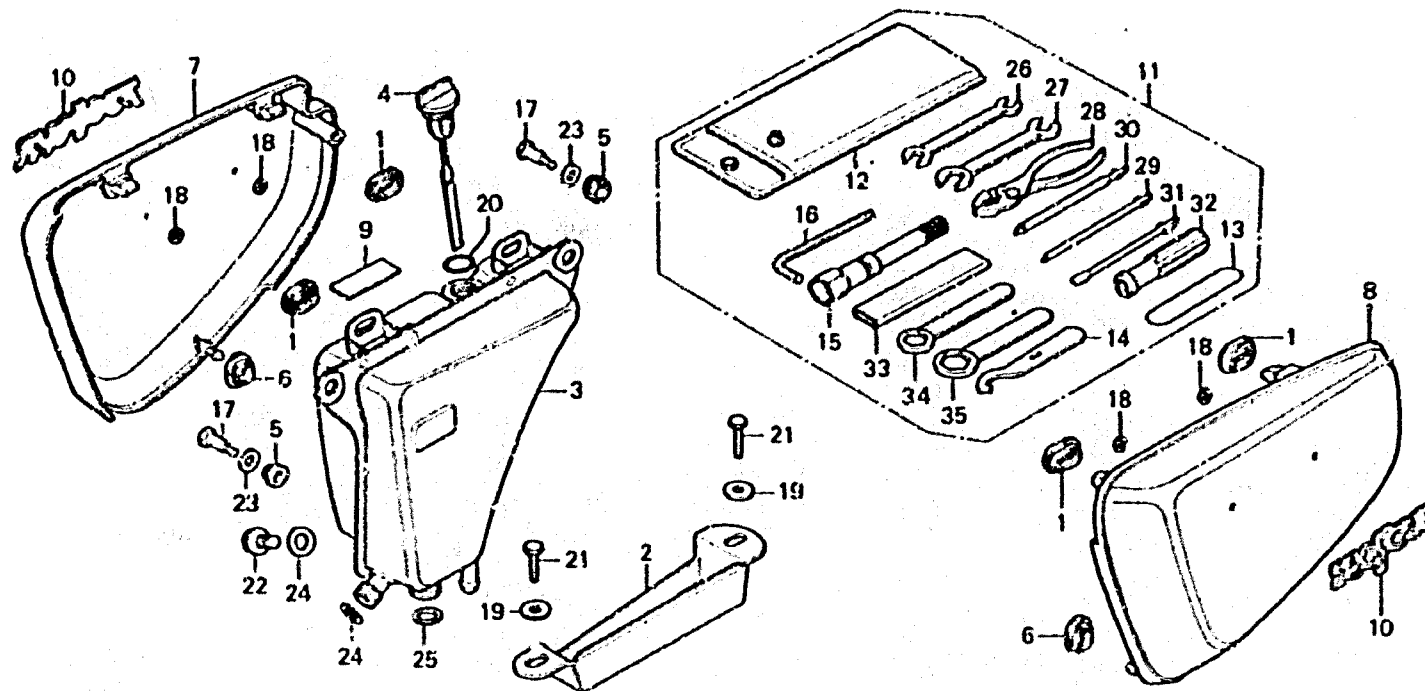


M 4

F-14

Side cover • Oil tank • Tool



B410-20

Service item	F.R.T.	Ref. No.	Part No.	Description	Reqd. No.		Serial No.	Area code
					C8750	F2 F3		
		22	92800-12000	BCLT, DRAIN PLUG, 12MM	1	1		
		23	94101-08000	WASHER, PLAIN, 8MM	3	3		
		24	94109-12000	WASHER, DRAIN PLUG, 12MM	2	2		
		25	94109-14000	WASHER, DRAIN PLUG, 14MM	1	1		
		26	99001-10120	SPANNER, 10X12	1	1		
		27	99001-14170	SPANNER, 14X17	1	1		
		28	99002-13500	PLIERS, 135	1	1		
		29	99003-10000	DRIVER 2, PLUS SCREW	1	1		
		30	99003-20000	DRIVER 3, PLUS SCREW	1	1		
		31	99003-30000	DRIVER 2, MINUS SCREW	1	1		
		32	99003-50000	GRIP	1	1		
		33	99006-12000	HANDLE, EYE WRENCH, 120MM	1	1		
		34	99006-22000	WRENCH, EYE, 22MM	1	1		
		35	99006-24000	WRENCH, EYE, 24MM	1	1		

1978.09.10