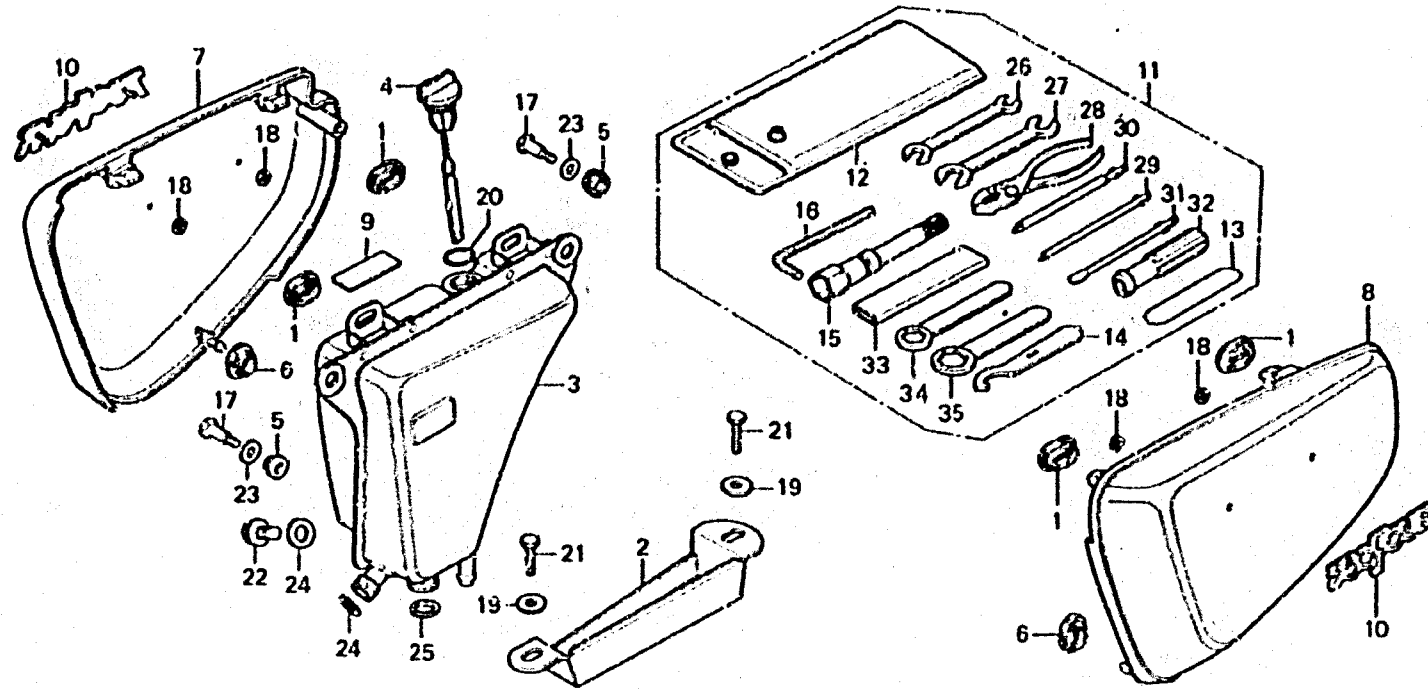


M 3

F-14

Side cover • Oil tank • Tool



B410-20

Service item	F.R.T.	Ref. No.	Part No.	Description	Reqd. No.		Serial No.	Area code
					CB750	F2 F3		
OIL TANK COMP.	0.6	1	17247-303-000	GROMMET A, AIR CLEANER CASE	4	4		
	0.1	2	50341-392-000	TRAY, TOOL	1	1		
TOOL TRAY		3	55100-392-000	TANK COMP., OIL	1	1		
• SIDE COVER/EMBLEM		4	55105-392-000	GAUGE, OIL LEVEL	1	1		
• One or all at side cover and emblem		5	55106-300-000	RUBBER, OIL TANK	3	3		
		6	83551-300-000	GROMMET, AIR CLEANER CASE	2	2		
		7	83600-392-000ZB	COVER, R. SIDE *R-8C-5*	1	1		
			83600-392-000ZC	COVER, R. SIDE *PB-7C*	1			
			83600-392-000ZD	COVER, R. SIDE *NH-1*	1	1		
		8	83700-410-000ZA	COVER, L. SIDE *R-8C-5*	1	1		
			83700-410-000ZB	COVER, L. SIDE *PB-7C*	1			
			83700-410-000ZC	COVER, L. SIDE *NH-1*	1	1		
		9	87125-392-771	PLATE, OIL CAUTION	1	1		
		10	87127-392-000	EMBLEM, SIDE COVER	2			
			87127-410-770	EMBLEM, SIDE COVER		2		
		11	89010-410-000	TOOL SET	1	1		
		12	89101-371-013	BAG, TOOL	1	1		
		13	89103-371-000	GAUGE, FEELER, 0.7	1	1		
		14	89215-404-670	SPANNER, PIN	1	1		
		15	89216-323-000	WRENCH, SPARK PLUG	1	1		
		16	89221-371-000	WRENCH, HEX., 6MM	1	1		
		17	90141-300-000	BOLT A, 6MM	3	3		
		18	90313-512-000	NUT, PUSH, 3MM	4	4		
		19	90512-300-000	WASHER, 6X20	2	2		
		20	91354-702-000	O-RING, 23MM	1	1		
		21	92000-06016	BOLT, HEX., 6X16	2	2		

1978.09.10