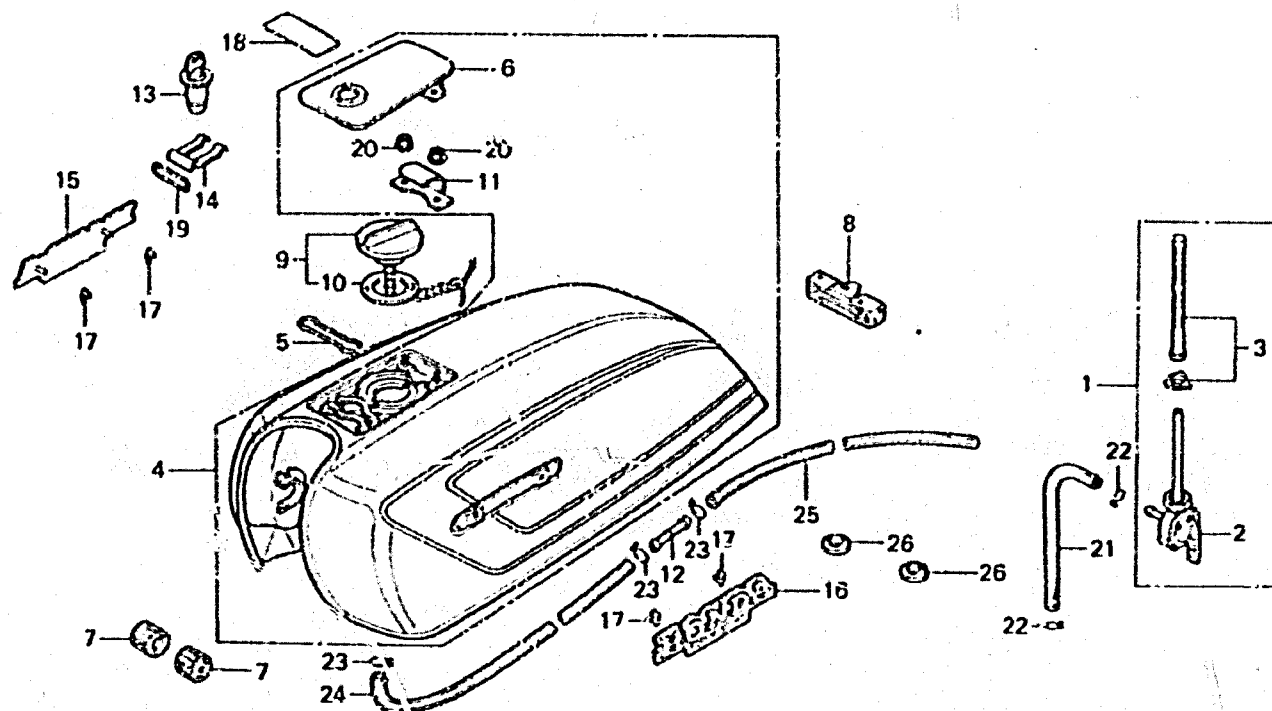


M 1

F-13

Fuel tank • Cock



B410-19

Service item	F.R.T.	Ref. No.	Part No.	Description	Reqd. No. CB750 F2 F3	Serial No.	Area code
FUEL TANK	0.4	1	16950-410-005	COCK ASSY., FUEL	1	1009991	DK, DM, E, ED, F, J, U
FUEL COCK ASSY. and its related parts	0.2				1	2250951	A, CH
FUEL LID LOCK/FUEL FILLER LID	0.1				1	1009992	DK, DM, E, ED, F, J, U
• FUEL TUBE			16450-410-015	COCK ASSY., FUEL	1	2250952	
• FUEL TANK EMBLEM		2	16951-410-005	RDY SET, COCK	1	1009991	DK, DM, E, ED, F, J, U
• One or all at emblem					1	2250951	A, CH
			16951-410-015	BODY SET, COCK	1	1009992	DK, DM, E, ED, F, J, U
					1	2250952	
		3	16952-388-005	SCREEN SET, FUEL STRAINER	1	1009991	DK, DM, E, ED, F, J, U
					1	2250951	A, CH
			16952-388-015	SCREEN SET, FUEL STRAINER	1	1009992	DK, DM, E, ED, F, J, U
					1	2250952	
		4	17520-410-315ZA	TANK ASSY., FUEL *R-8C-S*	1		
			17520-410-315ZB	TANK ASSY., FUEL *PB-7C*	1		
			17520-410-315ZC	TANK ASSY., FUEL *1/H-1*	1		
			17520-410-770ZA	TANK SUB ASSY., FUEL *R-8C-S*	1		
			17520-410-770ZB	TANK SUB ASSY., FUEL *NH-1*	1		
		5	17526-390-000	CRIP, FILLER LOCK	1		
					1		
		6	17531-410-000ZA	LID COMP., FUEL TANK *R-8C-S*	1		
			17531-410-000ZB	LID COMP., FUEL TANK *PB-7C*	1		
			17531-410-000ZC	LID COMP., FUEL TANK *NH-1*	1		
		7	17611-283-010	CUSHION, FUEL TANK FR.	2		
		8	17613-392-000	CUSHION, FUEL TANK RR.	1		
		9	17620-377-720	CAP COMP., FUEL FILLER	1		
		10	17631-329-000	PACKIN, FUEL FILLER CAP	1		

1976.09.10