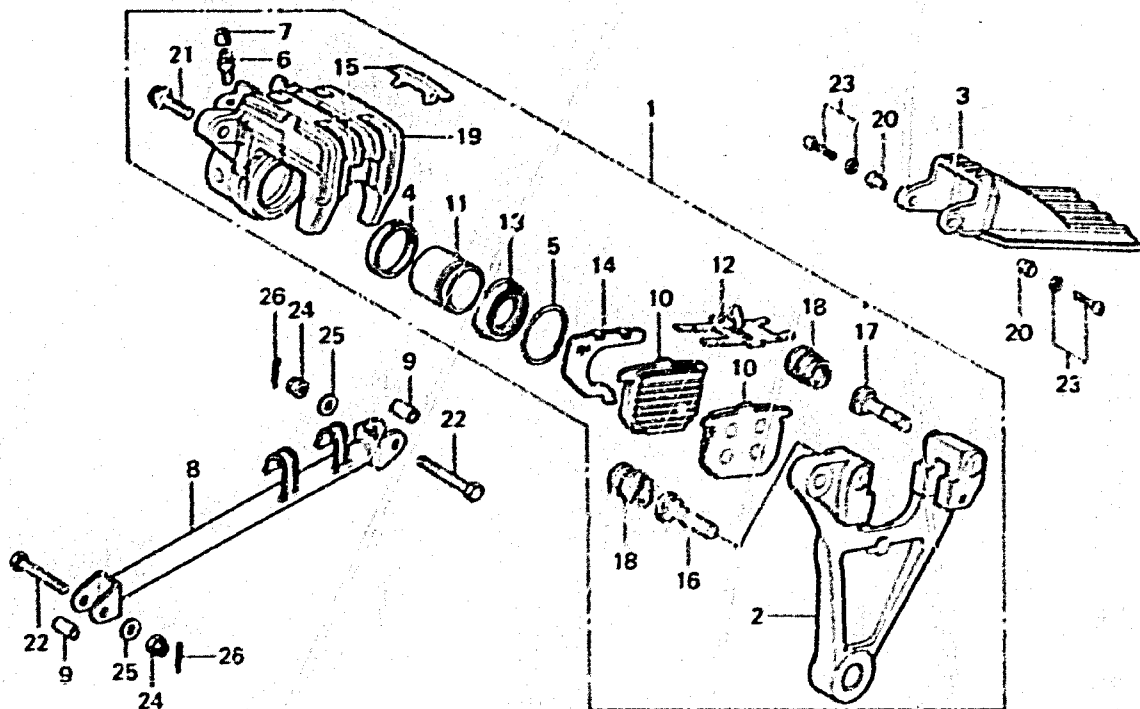


L 13

F-11

Rear brake caliper



B410-17

Service item	F.R.T.	Ref. No.	Part No.	Description	Reqd. No. CB750 F2 F3	Serial No.	Area code
REAR BRACKET	0.5	1	43100-410-006	CALIPER ASSY., RR. (NISSHIN)	1	1011570	DK, DM, E, ED, F, G, U A, CH
REAR CALIPER ASSY.	0.4				1	2206140	
TORQUE LINK COMP.	0.3		43100-410-016	CALIPER ASSY., RR. (NISSHIN)	1	2206141	2252770
REAR CALIPER PISTON	0.3		43100-410-026	CALIPER ASSY., RR. (NISSHIN)	1	1011571	DK, DM, E, ED, F, G, U
PAD COMP./PAD SPRING	0.1				1	2252771	
• REAR DISK COVER							
		2	43110-410-005	BRACKET, RR.	1	1	
		3	43140-410-000	COVER, RR. DISK	1	1	
		4	43209-371-006	SEAL, PISTON	1	1	
		5	43218-371-006	CLIP, DUST COVER	1	1	
		6	43352-568-003	VALVE, BLEEDER	1	1	
		7	43353-548-003	CAP, BLEED SCREW	1	1	
		8	43431-410-000	LINK COMP., TORQUE	1	1	
		9	43435-392-000	COLLAR, LINK	2	2	
		10	45105-410-006	PAD COMP. (NISSHIN)	2		1011570 DK, DM, E, ED, F, G, U A, CH
			45105-410-016	PAD COMP.	2	2	2206141 2252770
			45105-410-026	PAD COMP. (NISSHIN)	2	2	1011571 2252771 DK, DM, E, ED, F, G, U
		11	45107-410-006	PISTON (NISSHIN)	1	1	
		12	45108-410-006	SPRING, PAD (NISSHIN)	1	1	
		13	45109-371-006	BOOT, PISTON	1	1	
		14	45116-371-006	SHIM B, PAD	1	1	
		15	45119-371-000	CAP, INDICATOR	1	1	
		16	45131-410-006	PIN A (NISSHIN)	1	1	
		17	45132-410-006	PIN B (NISSHIN)	1	1	

1978.09.10