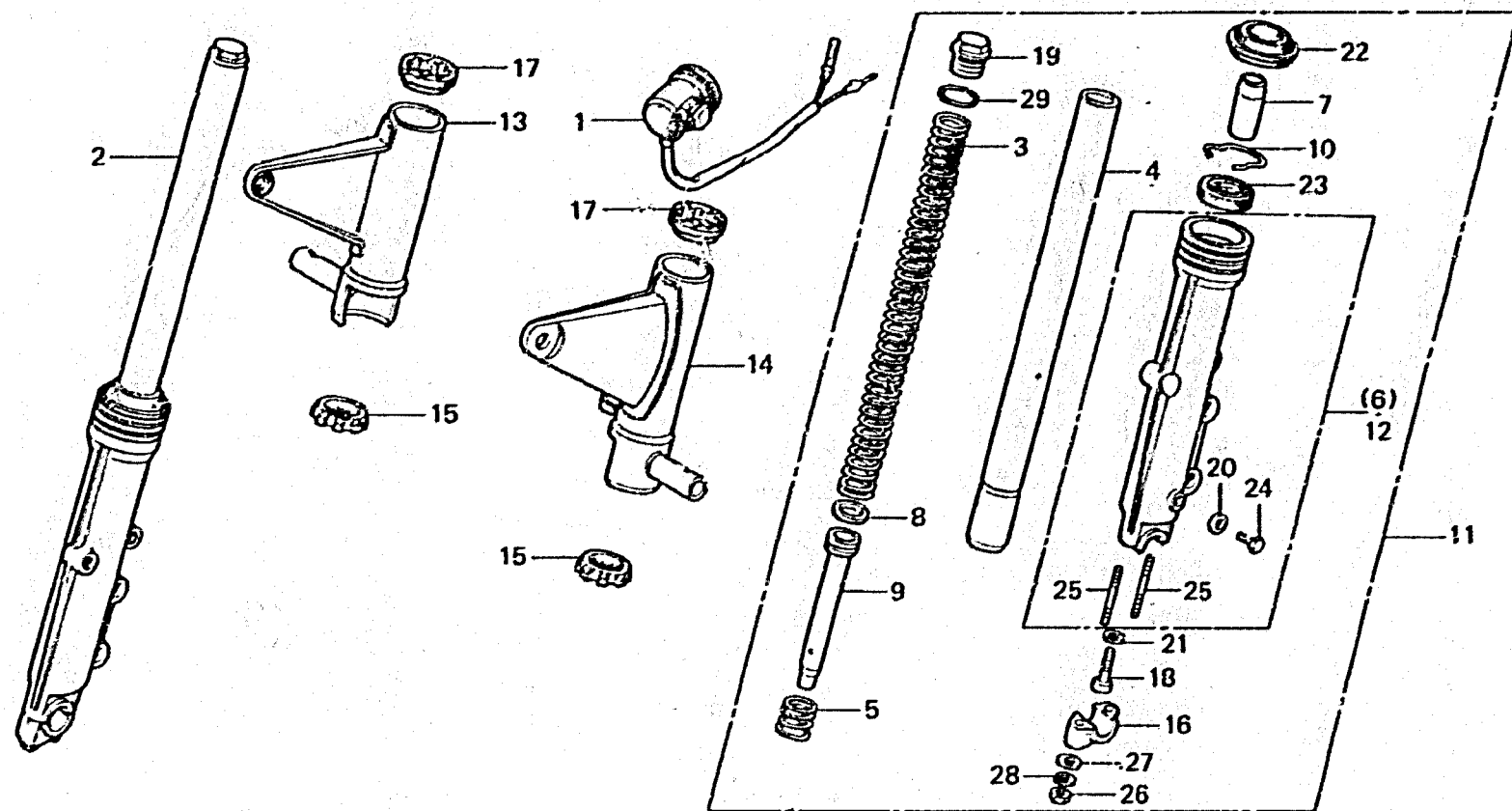


L 5

F-7

Front fork



B410-13

Service item	F.R.T.	Ref. No.	Part No.	Description	Reqd. No. CB750 F2 F3	Serial No.	Area code
FRONT FORK BOTTOM CASE	0.9	1	38400-341-674	BUZZER ASSY., WINKER	1 1		A,CH,DK,DM,U
• One motorcycle 1.5		2	51400-410-003ZA	FORK ASSY., R. FR. *A-01*	1 1		
FRONT FORK OIL SEAL	0.7	3	51401-393-000	SPRING, FR. CUSHION	2 2		
• One motorcycle 1.1		4	51410-393-003	PIPE COMP., FR. FORK (SHGVA)	2 2		
FRONT FORK COVER	0.7	5	51412-340-000	SPRING, FR. FORK REBOUND	2 2		
• One motorcycle 0.9		6	51421-410-003ZA	CASE, R. FR. FORK BOTTOM	1 1		
FRONT FORK PIPE/BOTTOM PIPE	0.6	7	51432-371-003	PIECE, OIL LOCK	2 2		*A-01*
and those related parts		8	51437-400-771	RING, PISTON	2 2		
• One motorcycle 0.9		9	51440-393-003	PIPE, BOTTOM	2 2		
FRONT FORK ASSY.	0.5	10	51466-375-000	RING, OIL SEAL STOPPER	2 2		
• One motorcycle 0.8		11	51500-410-003ZA	FORK ASSY., L. FR. *A-01*	1 1		
WINKER BUZZER ASSY.	0.3	12	51521-410-003ZA	CASE, L. FR. FORK BOTTOM	1 1		
8 x 50 STUD BOLT	0.2						
• Add 0.1		13	51602-410-000	COVER, R. FR. FORK	1 1		A,CH,DK,DM,U
• FRONT CUSHION SPRING			51602-410-610	COVER, R. FR. FORK	1		E,ED,F,;
FRONT AXLE HOLDER	0.1	14	51606-410-000	COVER, L. FR. FORK	1 1		A,CH,DK,DM,U
• FRONT FORK BOLT			51606-410-610	COVER, L. FR. FORK	1		E,ED,F,;
		15	51622-323-000	CUSHION B, FR. FORK COVER	2 2		
		16	51634-410-003	HOLDER, FR. FORK AXLE	2 2		
		17	61315-340-000	CUSHION, HEADLIGHT STAY	2 2		
		18	90116-283-010	BOLT, SOCKET, 8MM	2 2		
		19	90123-300-U00	BOLT, FR. FORK	2 2		
		20	90543-273-000	PACKING, FR. FORK DRAIN COCK	2 2		
		21	90544-283-000	WASHER, SPECIAL, 8MM	2 2		
		22	91254-400-771	DUST SEAL, 35MM	2 2		

1978.09.10