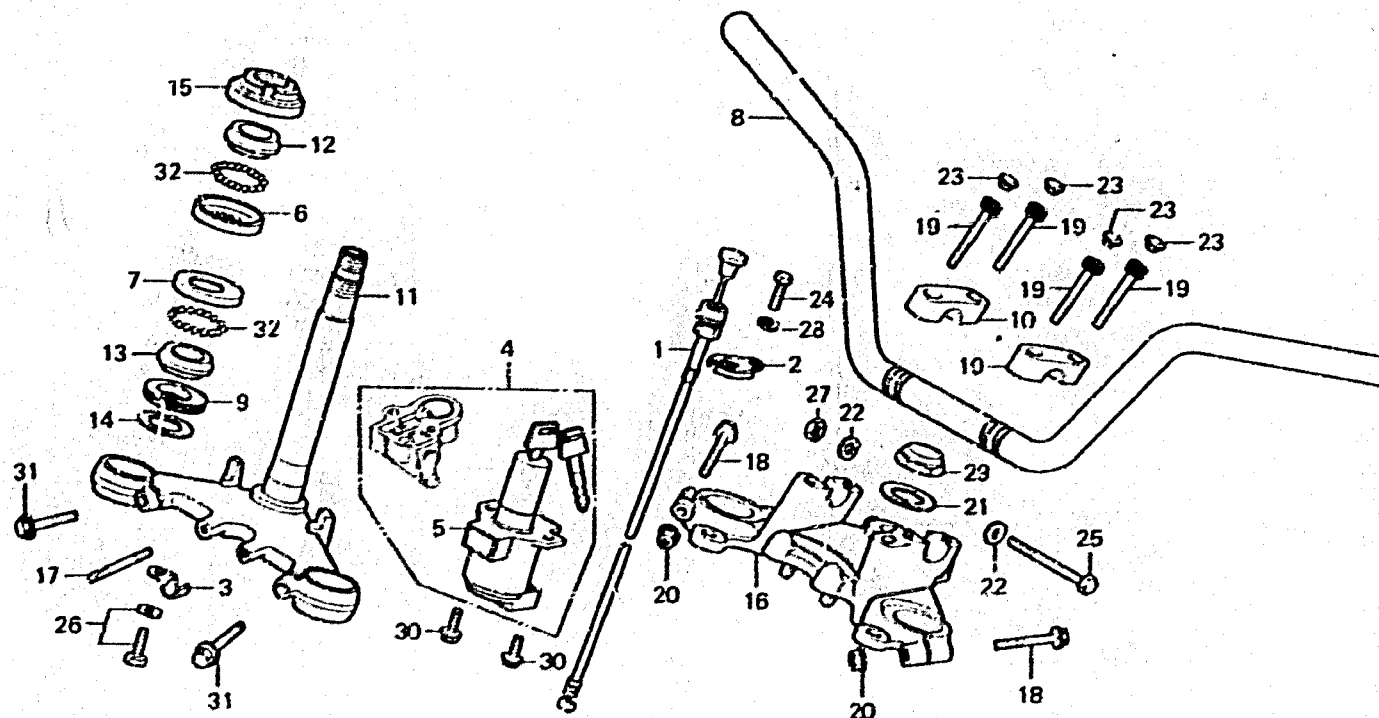


L 1

F-4

Handle pipe •
Top bridge • Stem



B417-10

Service item	F.R.T.	Ref. No.	Part No.	Description	Reqd. No. CB750 F2 F3	Serial No.	Area code
		11	53200-410-000A	STEM COMP., STEERING *NH-1*	1 1		A, CM, DK, DM, U
			53200-410-610ZA	STEM COMP., STEERING *NH-1*	1		E, ED, F, S
		12	53211-268-000	RACE, STEERING TOP CONE	1 1		
		13	53212-250-000	RACE, STEERING BOTTOM CONE	1 1		
		14	53215-250-000	WASHER, STEERING HEAD DUST	1 1		
		15	53220-286-000	THREAD COMP., STEERING HEAD SEAL TOP	1 1		
		16	53230-405-000	BRIDGE, FORK TOP	1 1		
		17	90126-410-000	BOLT, STUD, 6X52	2 2		
		18	90155-369-000	BOLT, FLANGE, 7X54	2 2		
		19	90185-371-000	BOLT, HEX. SOCKET, 8X32	4 4		
		20	90555-369-000	NUT, FLANGE, 7MM	2 2		
		21	90503-283-000	WASHER, STEERING STEM	1 1		
		22	90555-283-000	WASHER, SPECIAL, 8MM	2 2		
		23	91456-371-770	CAP, SOCKET BOLT	4 4		
		24	92000-08016-08	BOLT, HEX., 8X16	1 1		
		25	93000-08074-08	BOLT, HEX., 8X74	1 1		
		26	93481-08020-00	BOLT-WASHER, 8X20	1 1		
		27	94001-08020-05	NUT, HEX., 8MM	1 1		
		28	94102-08200	WASHER, PLAIN, 8MM	1 1		
		29	95020-11300	NUT A3, STEERING STEM	1 1		
		30	95700-06016-06	BOLT, FLANGE, 6X16	2 2		
		31	95700-10040-00	BOLT, FLANGE, 10X40	2 2		
		32	96211-08070	BALL, STEEL, #8 (1/4)	37 37		

1978.09.10