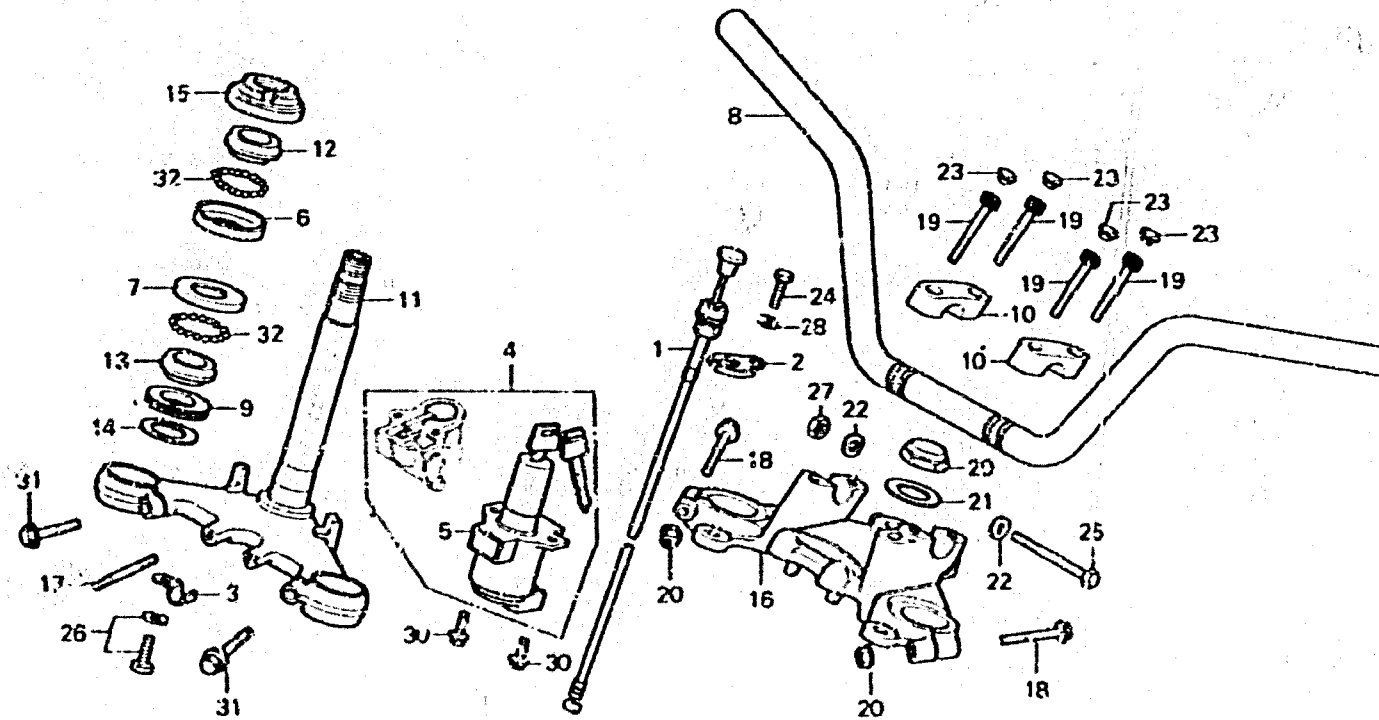


K 16

F-4

Handle pipe •
Top bridge • Stem



E410-10

Service item	F.R.T.	Ref. No.	Part No.	Description	Reqd. No. CB750 F2 F3	Serial No.	Area code
STEERING SYEM COMP./BOTTOM CONE RACE	1.1	1	17950-405-000	CABLE COMP., CHOKE	1		
STEERING HANDLE PIPE	1.0	2	17951-405-670	STAY, CHOKE CABLE	1		
STEERING BALL RACE	1.0	3	32123-390-000	CLIP, WIRE HARNESS	1		
		4	35010-410-000	KEY SET	1	1000787	DK,DM,U
• One of all					1		A,CM
FORK TOP BRIDGE	0.6		35010-410-610	KEY SET	1	1000891	E,ED,F,3
STEERING HEAD TOP THREAD COMP./TOP CONE RACE	0.5		35010-393-770	KEY SET	1	1000728	DK,DM,U
			35010-393-771	KEY SET	1		
KEY SET/COMBINATION SWITCH ASSY.	0.4		35010-410-611	KEY SET	1	1000892	A,CM,DK,DM,U
CHOKE CABLE COMP.	0.2		35010-410-612	KEY SET	1		E,ED,F,G
		5	35100-377-007	SWITCH ASSY., COMBINATION (HONDA LOCK)	1		A,CM,DK,DM,U
			35100-377-612	SWITCH ASSY., COMBINATION (HONDA LOCK)	1		E,ED,F,3
			35100-422-017	SWITCH ASSY., COMBINATION	1		A,CM,DK,DM,U
			35100-422-602	SWITCH ASSY., COMBINATION	1		E,ED,F,G
		6	50301-268-000	RACE, STEERING TOP BALL	1		
		7	50302-268-000	RACE, STEERING BOTTOM BALL	1		
		8	53100-405-610	PIPE, STEERING HANDLE	1		E,ED,F,3
			53100-410-000	PIPE, STEERING HANDLE	1		A,CM,DK,DM,U
		9	53124-250-000	DUST SEAL, STEERING HEAD	1		
		10	53131-371-000	HOLDER, HANDLE PIPE UPPER	2		

1978.09.10