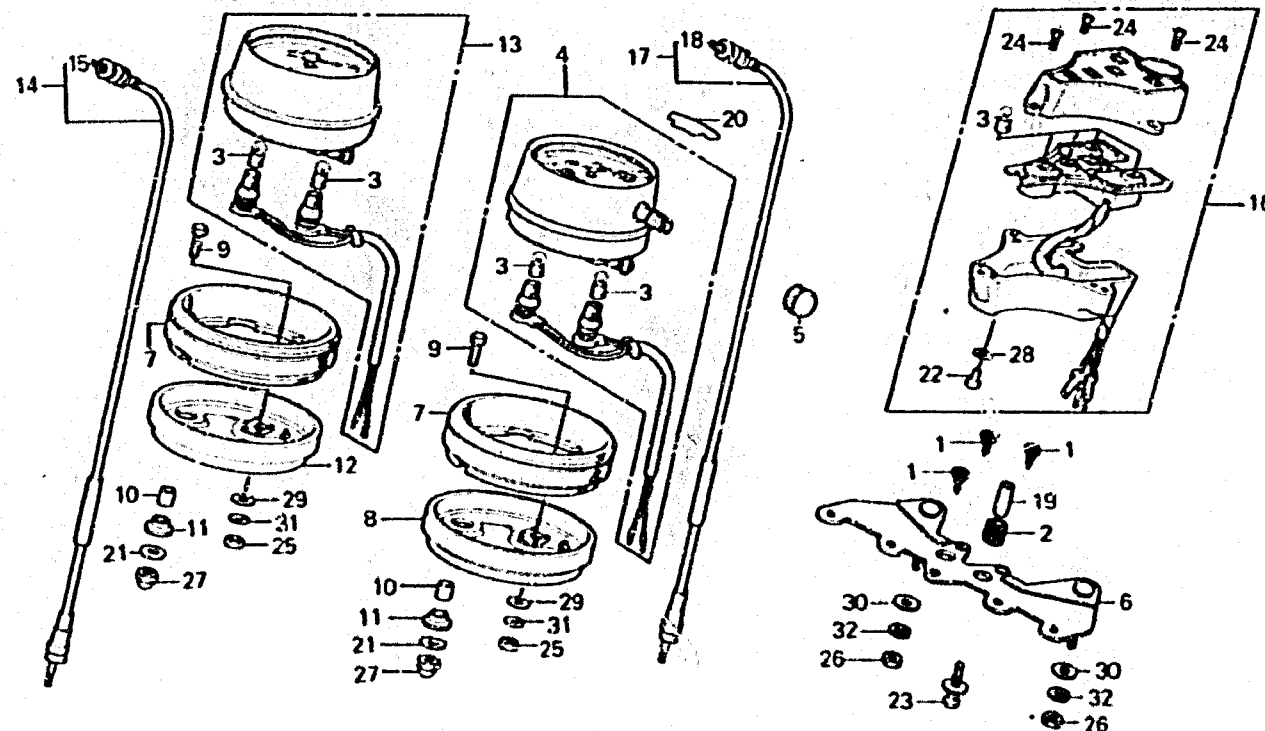


**K 12**

**F-2**

Speedometer •  
Tachometer • Pilot lamp



B305-18A

Service item	F.R.T.	Ref. No.	Part No.	Description	Reqd. No. CB750 F2 F3	Serial No.	Area code
METER BRACKET	0.5	1	32701-392-700	STOPPER, METER BRACKET	3 3		
• COMBINATION PILOT ASSY.		2	32702-392-700	GROMMET, METER BRACKET	2 2		
SPEEDOMETER ASSY.	0.3	3	34902-259-000	BULB, DASH (12V3.4W)	9 9		
• TACHOMETER ASSY.		4	37200-405-671	SPEEDOMETER ASSY. (MPH KPH)	1 1		A, DM, E
SPEEDOMETER CUSHION/UNDER PLATE	0.2		37200-405-681	SPEEDOMETER ASSY. (KPH)	1		CM
TACHOMETER CUSHION/UNDER PLATE	0.1		37200-405-781	SPEEDOMETER ASSY. (KPH/MPH)	1		DK, ED, F, J, U
• SPEEDOMETER CABLE		5	37202-371-610	CAP, TRIP METER KNOB	1		CM
• DASH BULB							G
		6	37211-405-000	BRACKET, METER	1 1		
		7	37235-323-700	CUSHION, SPEEDOMETER	2 2		
		8	37236-404-000	PLATE, SPEEDOMETER UNDER	1 1		
		9	37238-723-700	BOLT, METER SET, 6MM	4 4		
		10	37243-323-700	COLLAR, METER SET	4 4		
		11	37244-307-670	RUBBER, METER SETTING	4 4		
		12	37246-404-000	PLATE, TACHOMETER UNDER	1 1		
		13	37250-410-009	TACHOMETER ASSY.	1		
			37250-410-771	TACHOMETER ASSY.	1		
		14	37260-362-000	CABLE ASSY., TACHOMETER	1 1		
		15	37261-362-000	CABLE, TACHOMETER INNER	1 1		
		16	37600-377-018	PILOT ASSY., COMBINATION (NIPPON SEIKI)	1 1		
		17	44830-390-000	CABLE ASSY., SPEEDOMETER	1 1		
		18	44831-323-000	CABLE, SPEEDOMETER INNER	1 1		
		19	84706-375-000	COLLAR, NUMBER BRACKET SET	2 2		
		20	87523-410-790	LABEL, BREAK IN MAINTENANCE CAUTION	1	2250001	A

1978.09.10