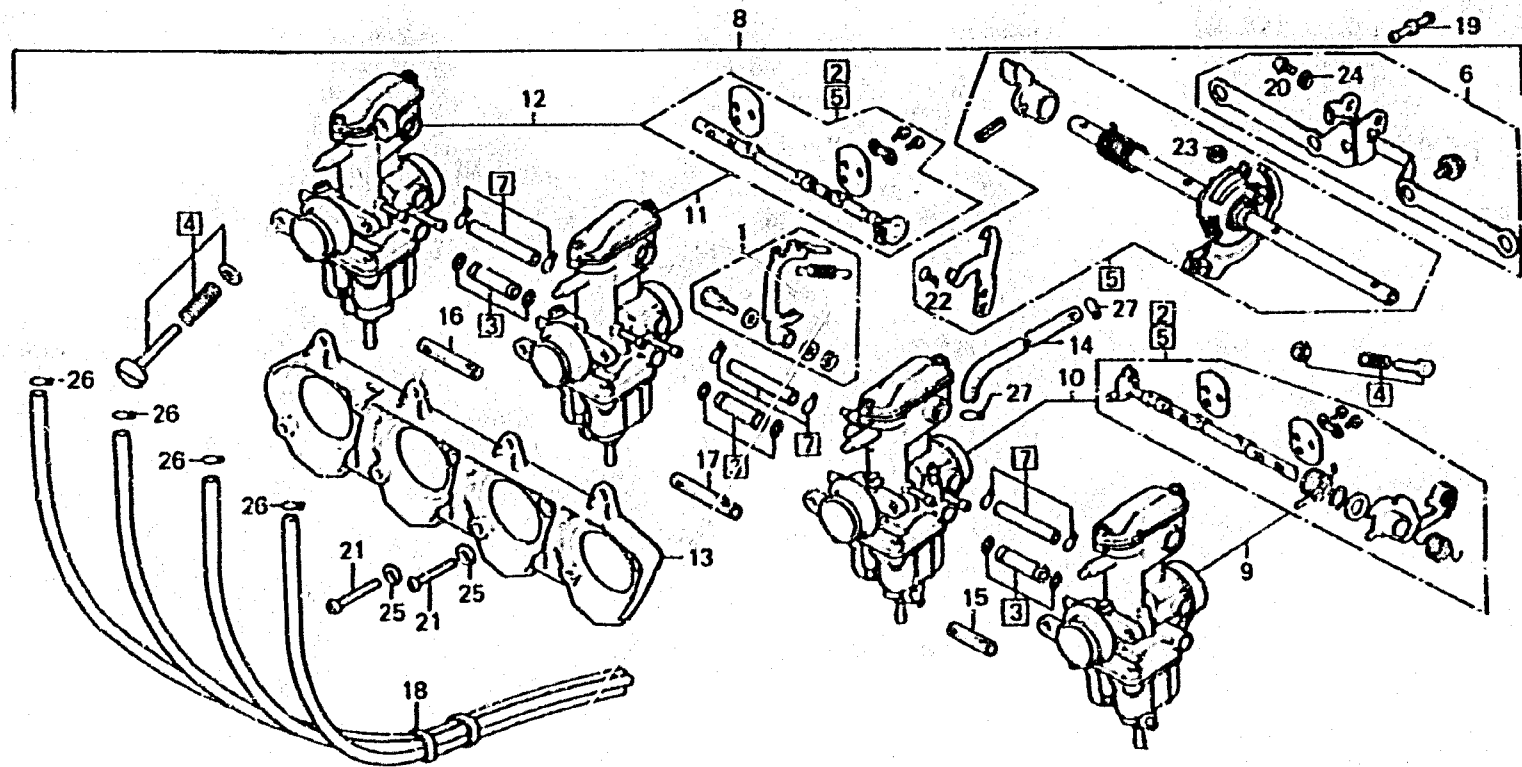


K 5

E-20

**Carburetor (Assy. • Link)
(CB750F3)**



B410-6A

Service item	F.R.T.	Ref. No.	Part No.	Description	Reqd. No. CB750 F2 F3	Serial No.	Area code
		20	93500-04008-0H	SCREW, PAN; 4X8	1		
		21	93500-06020-0H	SCREW, PAN; 6X20	8		
		22	93600-05010-0H	SCREW, FLAT; 5X10	1		
		23	94001-06080	NUT, HEX.; 6MM	1		
		24	94111-04800	WASHER, SPRING; 4MM	1		
		25	94111-06800	WASHER, SPRING; 6MM	8		
		26	95002-02070	CLIP B7; TUBE	4		
		27	95002-02080	CLIP B8; TUBE	2		

1978.09.10