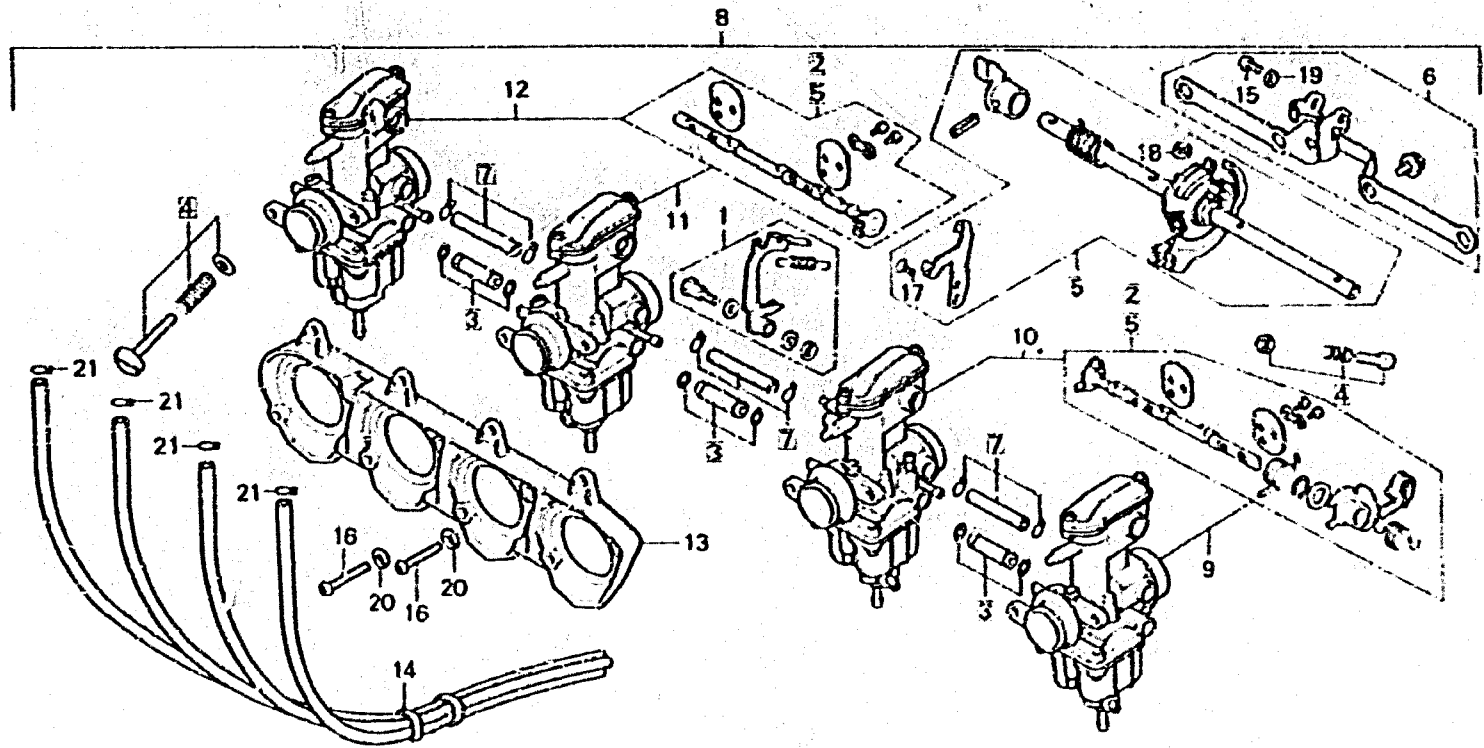


**K 2**

**E-19**

**Carburetor (Assy. • Link)  
(CB750F2)**



B410-6

Service item	F.R.T.	Ref. No.	Part No.	Description	Rqd. No. CB750 F2, F3	Serial No.	Area code
		15	93500-04008-0H	SCREW, PAN, 4X8	1		
		16	93500-06020-0H	SCREW, PAN, 6X20	8		
		17	93600-05010-0H	SCREW, FLAT, 5X10	1		
		18	94001-06080	NUT, HEX., 6MM	1		
		19	94111-04800	WASHER, SPRING, 4MM	1		
		20	94111-06800	WASHER, SPRING, 6MM	8		
		21	95002-02070	CLIP B7, TUBE	4		

1978.09.10