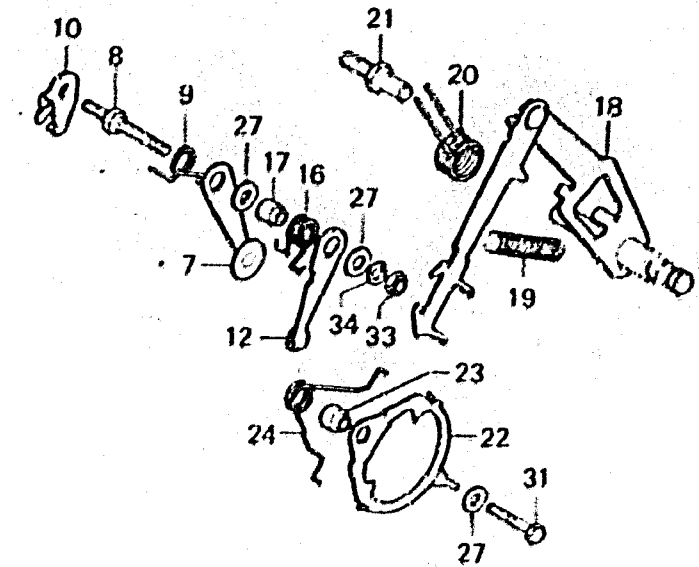
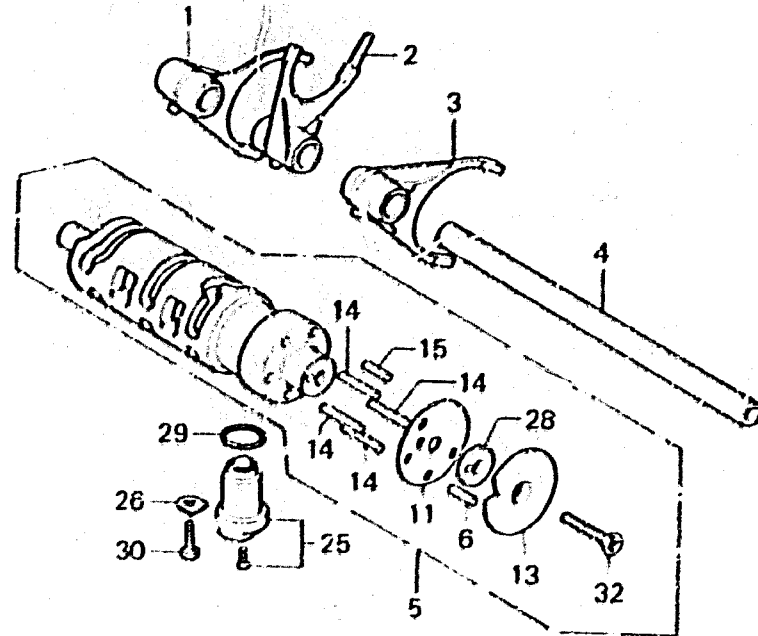


J 16

E-18

Gearshift drum • Spindle



847-14

Service item	F.R.T.	Ref. No.	Part No.	Description	Reqd. No.		Serial No.	Area code
					CB750	F2 F3		
		24	24666-300-000	SPRING, POSITIVE STOPPER	1	1		
		25	35752-300-010	SWITCH ASSY., NEUTRAL	1	1		
		26	35754-300-020	STOPPER, NEUTRAL SWITCH	1	1		
		27	90417-028-000	WASHER, SHIFT DRUM SIDE	3	3		
		28	90436-392-000	WASHER, 20MM	1	1		
		29	91311-044-000	O-RING, 18X3	1	1		
		30	92000-03016	BOLT, HEX., 6X16	1	1		
		31	92000-06025	BOLT, HEX., 6X25	1	1		
		32	93600-06028	SCREW, FLAT, 6X28	1	1		
		33	94001-06000	NUT, HEX., 6MM	1	1		
		34	94111-06000	WASHER, SPRING, 6MM	1	1		

1978.09.10