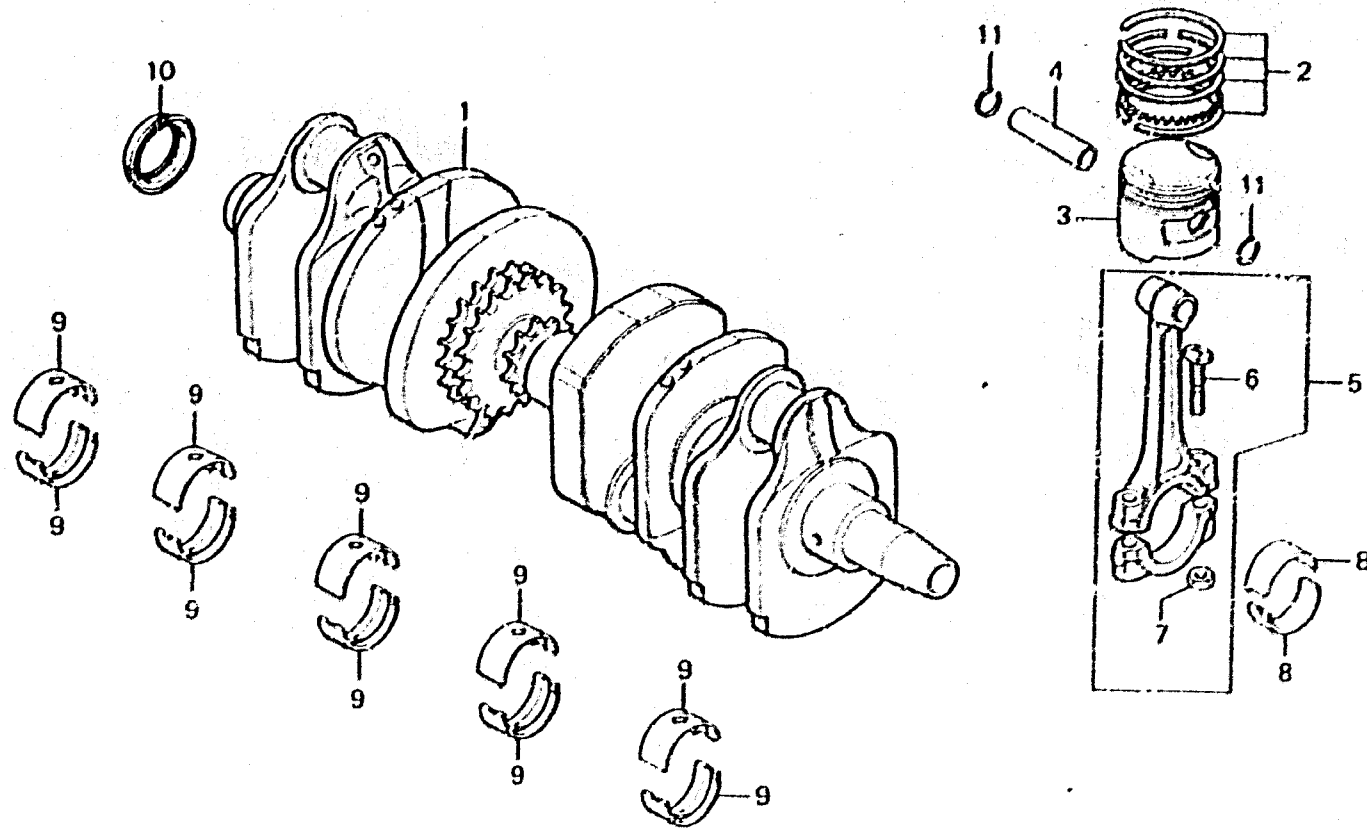


J 11

E-15

Crankshaft • Piston



8405-11

Service item	F.R.T.	Ref. No.	Part No.	Description	Reqd. No. CB750 F2 F3	Serial No.	Area code
--------------	--------	----------	----------	-------------	-----------------------------	------------	-----------

11 94601-15000 CLIP, PISTON PIN, 15MM B 8

Selection table of connecting rod bearing  
(Oil clearance 20~46μ)

Crank pin allowance 36μ Connecting rod allowance 39μ		3	4	5
		0 ~ -0.005	-0.005 ~ -0.010	-0.010 ~ -0.015
3	+0.024 +0.016	B (BROWN)	B (BROWN)	A (BLACK)
2	+0.018 +0.008	C (GREEN)	C (GREEN)	B (BROWN)
1	+0.008 0	D (YELLOW)	D (YELLOW)	C (GREEN)

Selection table of crankshaft bearing  
(Oil clearance 20~46μ)

Crankshaft Journal allowance 36μ Crankcase allowance 39μ		A	B	C
		0 ~ -0.005	-0.005 ~ -0.010	-0.010 ~ -0.015
C	+0.024 +0.016	B (BROWN)	B (BROWN)	A (BLACK)
B	+0.016 +0.008	C (GREEN)	C (GREEN)	B (BROWN)
A	+0.008 0	D (YELLOW)	D (YELLOW)	C (GREEN)

1978.09.10