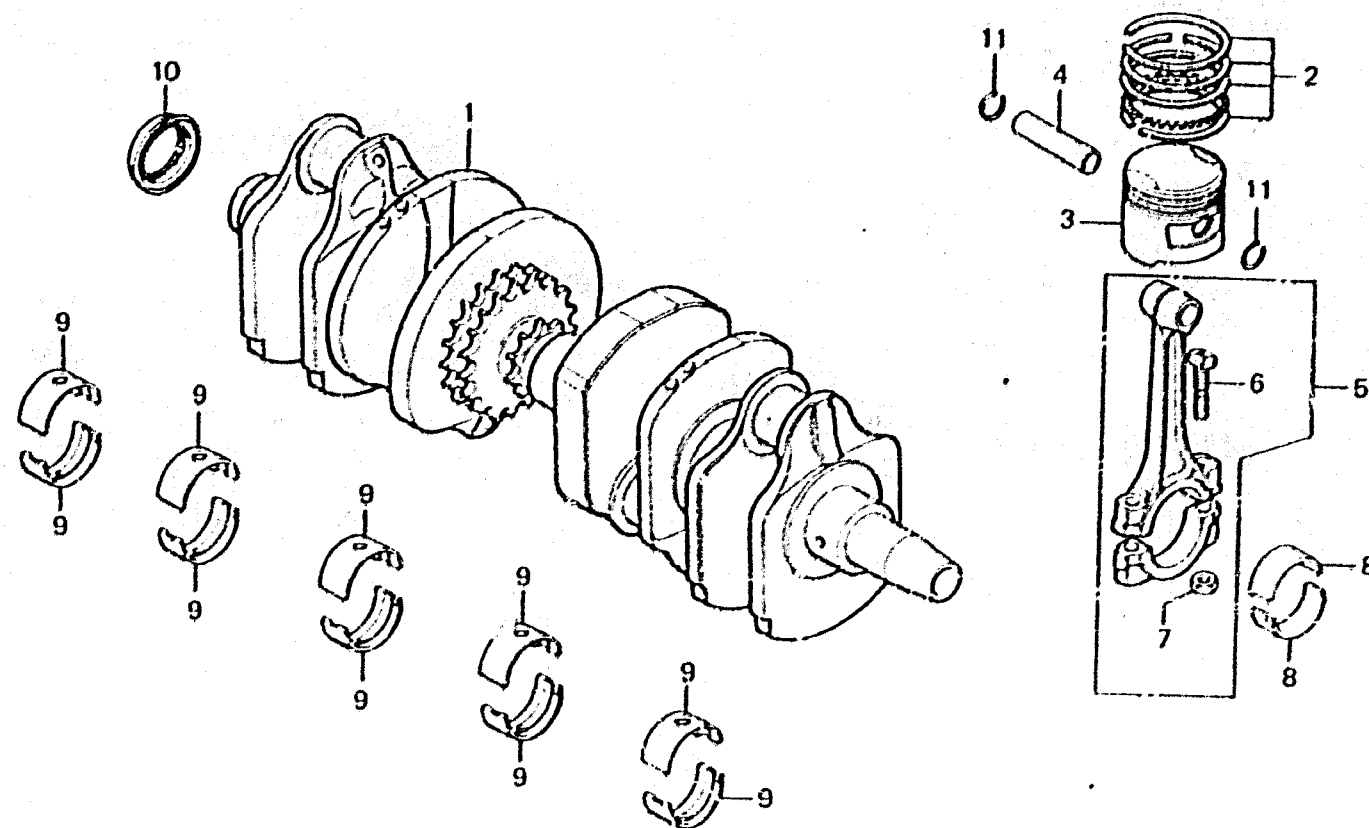


J 10

E-15

Crankshaft - Piston



B405-11

Service item	F.R.T.	Ref. No.	Part No.	Description	Reqd. No. CB750 F2 F3	Serial No.	Area code
			13216-410-015	BEARING B, CONNECTING ROD (BROWN TAIHO)	8	2604929	A, CH, DK, DK, U E, ED, F, ;
			13217-410-013	BEARING C, CONNECTING ROD (GREEN DAIDO)	8	2604929	A, CH, DK, DP, U E, ED, F, ;
			13217-410-015	BEARING C, CONNECTING ROD (GREEN TAIHO)	8	2604929	A, CH, DK, DP, U E, ED, F, ;
			13218-410-013	BEARING D, CONNECTING ROD (YELLOW DAIDO)	8	2604929	A, CH, DK, DK, U E, ED, F, ;
			13218-410-015	BEARING D, CONNECTING ROD (YELLOW TAIHO)	8	2604929	A, CH, DK, DK, U E, ED, F, ;
		9	13315-300-013	BEARING A, CRANKSHAFT (BLACK) (DAIDO)	10		
			13316-300-013	BEARING B, CRANKSHAFT (BROWN) (DAIDO)	10		
			13317-300-013	BEARING C, CRANKSHAFT (GREEN) (DAIDO)	10		
			13318-300-013	BEARING D, CRANKSHAFT (YELLOW) (DAIDO)	10		
		10	91201-300-003	OIL SEAL, 30X42X8	1		

1978.09.10