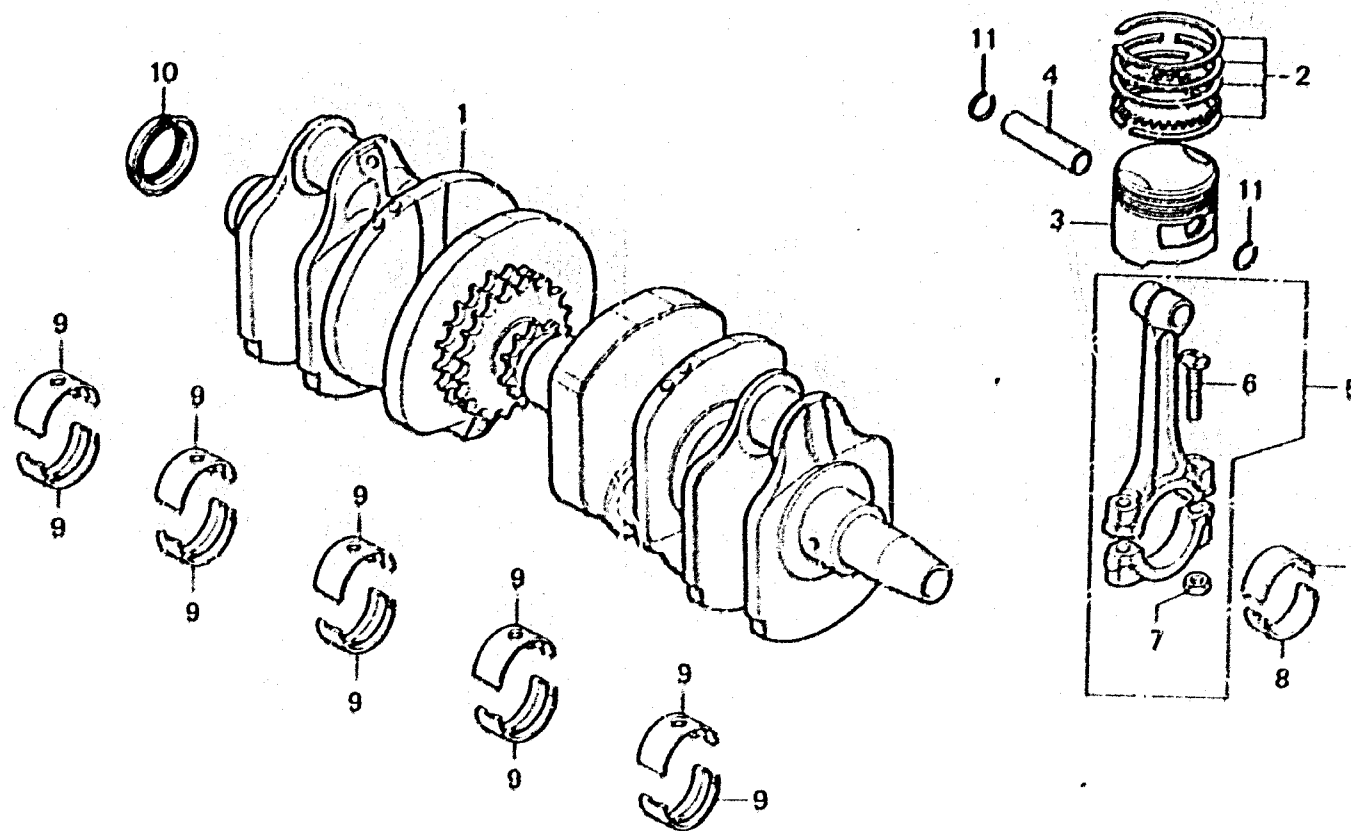


J 7

E-15

Crankshaft • Piston



B405-11

Service item	F.R.T.	Ref. No.	Part No.	Description	Reqd. No. CB750 F2 F3	Serial No.	Area code
			13051-410-601	RING SET, PISTON (1.00 NIPPON)	(4) (4)	1004033 2612798	E, ED, F, G A, CH, DK, DM, U
		3	13101-410-010	PISTON (STD.)	(4)	2609695	A, CH, DK, DM, U
			13102-410-000	PISTON (0.25)	(4)	2609695	A, CH, DK, DM, U
			13103-410-000	PISTON (0.50)	(4)	2609695	A, CH, DK, DM, U
			13104-410-000	PISTON (0.75)	(4)	2609695	A, CH, DK, DM, U
			13105-410-000	PISTON (1.00)	(4)	2609695	A, CH, DK, DM, U
			13101-410-003	PISTON (STD.)	4 4	2609696	A, CH, DK, DM, U E, ED, F, G
			13102-410-003	PISTON (0.25)	(4) (4)	2609696	A, CH, DK, DM, U E, ED, F, G
			13103-410-003	PISTON (0.50)	(4) (4)	2609696	A, CH, DK, DM, U E, ED, F, G
			13104-410-003	PISTON (0.75)	(4) (4)	2609696	A, CH, DK, DM, U E, ED, F, G
			13105-410-003	PISTON (1.00)	(4) (4)	2609696	A, CH, DK, DM, U E, ED, F, G
		4	13111-300-000	PIN, PISTON	4		
		5	13202-300-000	ROD CMP. B, CONNECTING	4	2604928	A, CH, DK, DM, U
			13204-300-000	ROD CMP. D, CONNECTING	4	2604928	A, CH, DK, DM, U
			13206-300-000	ROD CMP. F, CONNECTING	4	2604928	A, CH, DK, DM, U
			13208-300-000	ROD CMP. H, CONNECTING	4	2604928	A, CH, DK, DM, U

1978.09.10