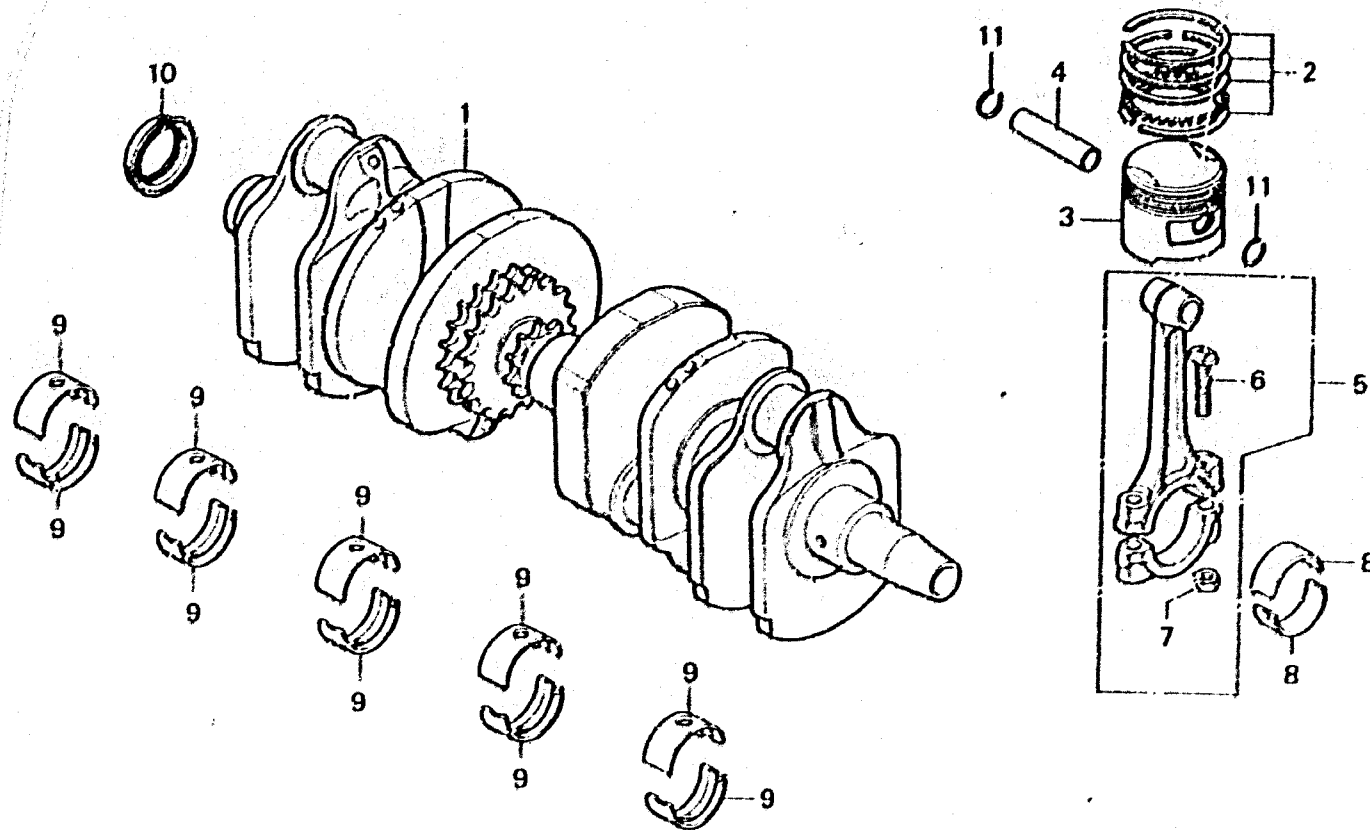


J 6

E-15

Crankshaft • Piston



B405-11

Service item	F.R.T.	Ref. No.	Part No.	Description	Reqd. No. CB750 F2 F3	Serial No.	Area code
CRANKSHAFT ASSY.	±8.6	1	13000-300-050	CRANKSHAFT ASSY.	1		
CRANKSHAFT BEARING	±8.0	2	13011-392-003	RIN; SET, PISTON (STD. NIPPON)	4		1004032 E, ED, F, ;
• One or all			13011-392-004	RIN; SET, PISTON (STD. RIKEN)	4		2612797 A, CH, DK, DK, U
• 30 x 42 x 8 OIL SEAL			13011-392-005	RIN; SET, PISTON (STD. TEIKOKU)	4		1004032 E, ED, F, ;
CONNECTING ROD/CONNECTING ROD BEARING	±7.7				4		2612797 A, CH, DK, DK, U
• Add 0.4			13021-392-000	RIN; SET, PISTON (0.25)	(4)		1004032 E, ED, F, ;
PISTON/PISTON RING	±5.2		13031-392-000	RIN; SET, PISTON (0.50)	(4)		2612797 A, CH, DK, DK, U
• Add 0.1			13041-392-000	RIN; SET, PISTON (0.75)	(4)		1004032 E, ED, F, ;
PISTON PIN	±5.1		13051-392-000	RIN; SET, PISTON (1.00)	(4)		2612797 A, CH, DK, DK, U
			13011-410-601	RIN; SET, PISTON (STD. NIPPON)	4	1004033	E, ED, F, ;
					4	2612798	A, CH, DK, DK, U
			13021-410-601	RIN; SET, PISTON (0.25 NIPPON)	(4)	1004033	E, ED, F, ;
					(4)	2612798	A, CH, DK, DK, U
			13031-410-601	RIN; SET, PISTON (0.50 NIPPON)	(4)	1004033	E, ED, F, ;
					(4)	2612798	A, CH, DK, DK, U
			13041-410-601	RIN; SET, PISTON (0.75 NIPPON)	(4)	1004033	E, ED, F, ;
					(4)	2612798	A, CH, DK, DK, U

1978.09.10