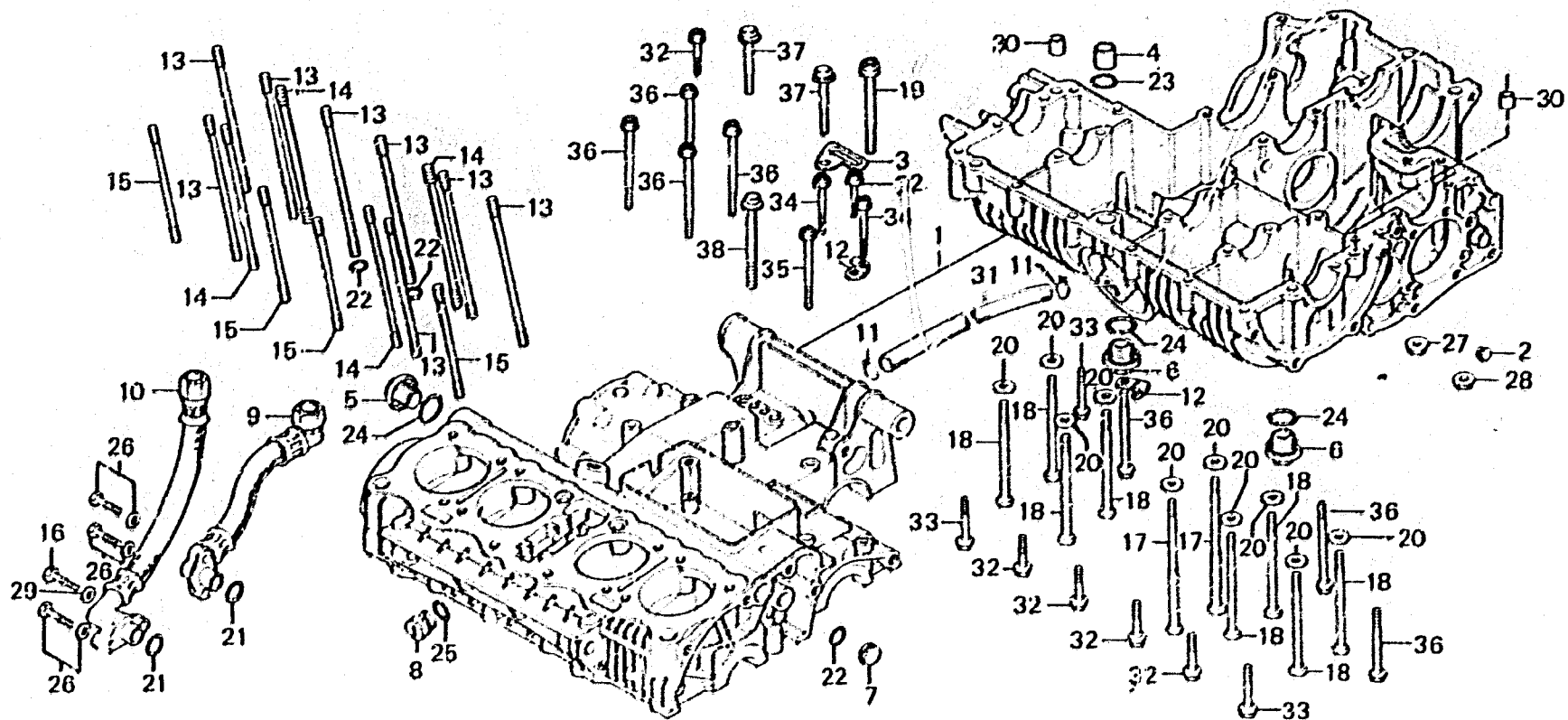


J 5

E-14

Crankcase



B410-4

Service item	F.R.T.	Ref. No.	Part No.	Description	Reqd. No. CB750 F2 F3	Serial No.	Area code
		22	91309-035-000	O-RING, 11X2.5	3 3		
		23	91311-044-000	O-RING, 18X3	1 1		
		24	91315-044-000	O-RING, 19.4X2.8	3 3		
		25	91319-300-000	O-RING, 13X2.5	1 1		
		26	93481-06025-00	BOLT-WASHER, 6X25	3 3		
		27	94050-08000	NUT, FLANGE, 8MM	1 1		
		28	94050-10000	NUT, FLANGE, 10MM	1 1		
		29	94101-06000	WASHER, PLAIN, 6MM	1 1		
		30	94301-10160	PIN A, DOVEL, 10X16	2 2		
		31	95005-12150-20	TUBE, 12X150	1 1		
		32	95700-06040-00	BOLT, FLANGE, 6X40	6 6		
		33	95700-06050-00	BOLT, FLANGE, 6X50	3 3		
		34	95700-06055-00	BOLT, FLANGE, 6X55	2 2		
		35	95700-06080-00	BOLT, FLANGE, 6X80	1 1		
		36	95700-06100-00	BOLT, FLANGE, 6X100	7 7		
		37	95700-08055-00	BOLT, FLANGE, 8X55	2 2		
		38	95700-08080-00	BOLT, FLANGE, 8X80	1 1		

1978.09.10