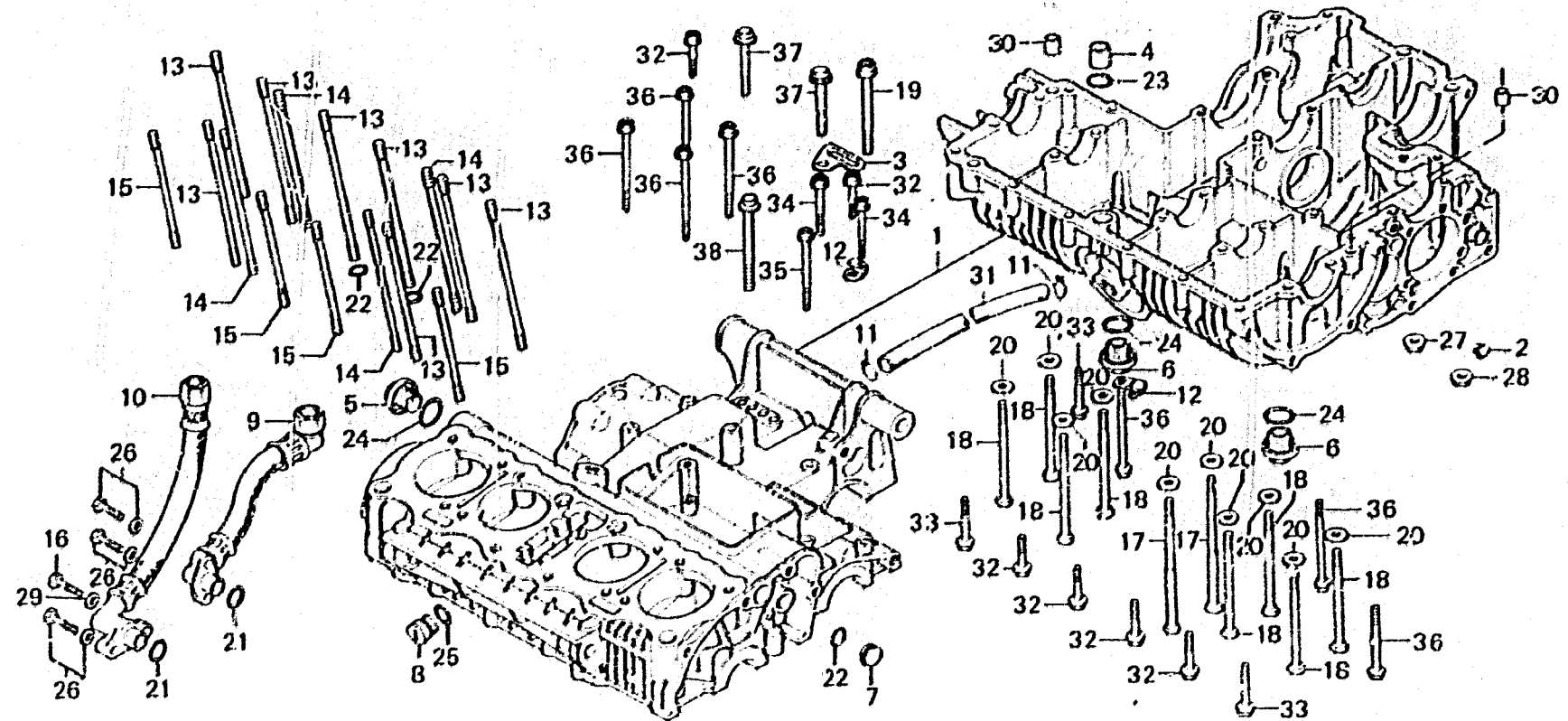


J 4

E-14

Crankcase



E410-4

Service item	F.R.T.	Ref. No.	Part No.	Description	Reqd. No. CB750 F2 F3	Serial No.	Area code
CRANKCASE ASSY.	±9.0	1	11000-410-000	CRANKCASE ASSY.	1	1007326	E, ED, F, G
CYLINDER STUD BOLT	±5.2				1	2613859	A, CH, DK, DP, U
• Add 0.1					1	3113260	
OIL HOSE A.	0.5		11000-410-010	CRANKCASE ASSY.	1	1007327	E, ED, F, G
OIL HOSE B.	0.3				1	2613860	A, CH, DK, DP, U
					1	3113261	
		2	11209-300-000	PLUG, SEALING RUBBER, 8.5MM	1		
		3	11355-300-000	GUIDE, OVER FLOW	1		
		4	15326-300-000	COLLAR, OIL PATH, 18MM	1		
		5	15331-300-000	CAP, OIL PATH	1		
		6	15332-300-000	CAP B, OIL PATH	2		
		7	15336-300-010	PLUG, OIL PATH	1		
		8	15337-300-010	PLUG, OIL TUBE	1		
		9	15510-300-017	HOSE COMP. A, OIL	1		
		10	15520-392-020	HOSE COMP. B, OIL	1		
		11	15772-551-000	CLIP, TUBE	2		
		12	32111-323-000	CLAMPER, CORD	2		
		13	90033-300-030	BOLT A, CYLINDER STUD	8		
		14	90033-410-000	BOLT A, CYLINDER STUD	4		
		15	90034-300-030	BOLT B, CYLINDER STUD	4		
		16	90040-300-070	BOLT, SPECIAL, 6X25	1		
		17	90041-300-000	BOLT, HEX., 8X140	2		
		18	90042-300-000	BOLT, HEX., 8X120	8		
		19	90048-300-000	BOLT, HEX., 10X82	1		
		20	90485-035-000	WASHER, 14MM	10		
		21	91302-028-000	O-RING, 15X2.5	2		

1978.09.10