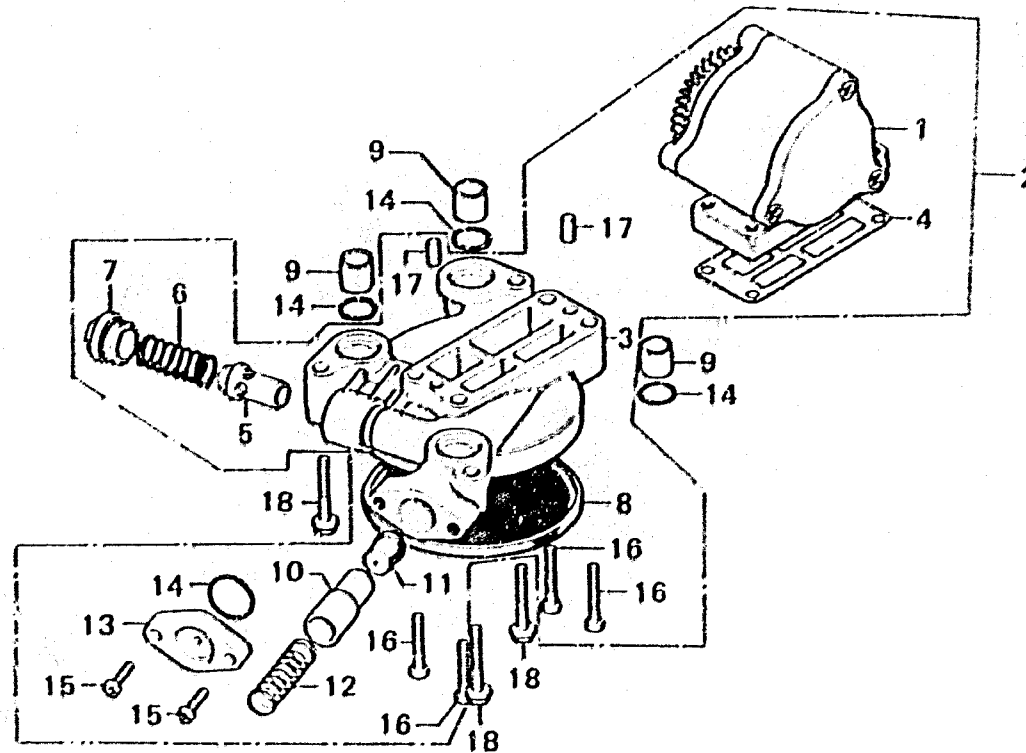


J 3

E-13

Oil pump



6792-12

Service item	F.R.T.	Ref. No.	Part No.	Description	Reqd. No. CB750 F2 F3	Serial No.	Area code
OIL PUMP BASE	1.1	1	15010-300-000	BCDY ASSY., OIL PUMP	1	1	
OIL PUMP BODY	1.0	2	15100-300-000	PUMP ASSY., OIL	1	1	
• RELIEF VALVE		3	15105-300-010	BASE COMP., OIL PUMP	1	1	
• OIL LEAK STOPPER VALVE		4	15135-300-010	GASKET, OIL PUMP	1	1	
OIL PUMP ASSY.	0.9	5	15140-300-010	VALVE, RELIEF	1	1	
		6	15145-300-000	SPRING, RELIEF VALVE	1	1	
		7	15147-300-000	CAP, RELIEF VALVE SPRING	1	1	
		8	15150-300-000	SCREEN, OIL STRAINER	1	1	
		9	15155-300-000	CELLAR, O-RING	3	3	
		10	15161-300-000	VALVE, OIL LEAK STOPPER	1	1	
		11	15166-300-000	SEAL, OIL LEAK STOPPER	1	1	
		12	15171-300-010	SPRING, OIL LEAK STOPPER	1	1	
		13	15176-300-000	CAP, OIL LEAK STOPPER	1	1	
		14	91302-028-000	O-RING, 15X2.5	4	4	
		15	93500-06020	SCREW, PAN, 6X20	2	2	
		16	93500-06032	SCREW, PAN, 6X32	4	4	
		17	94302-04080	PIN B, DOWEL, 4X8	2	2	
		18	95700-06035-00	BOLT, FLANGE, 6X35	3	3	

1978.09.10