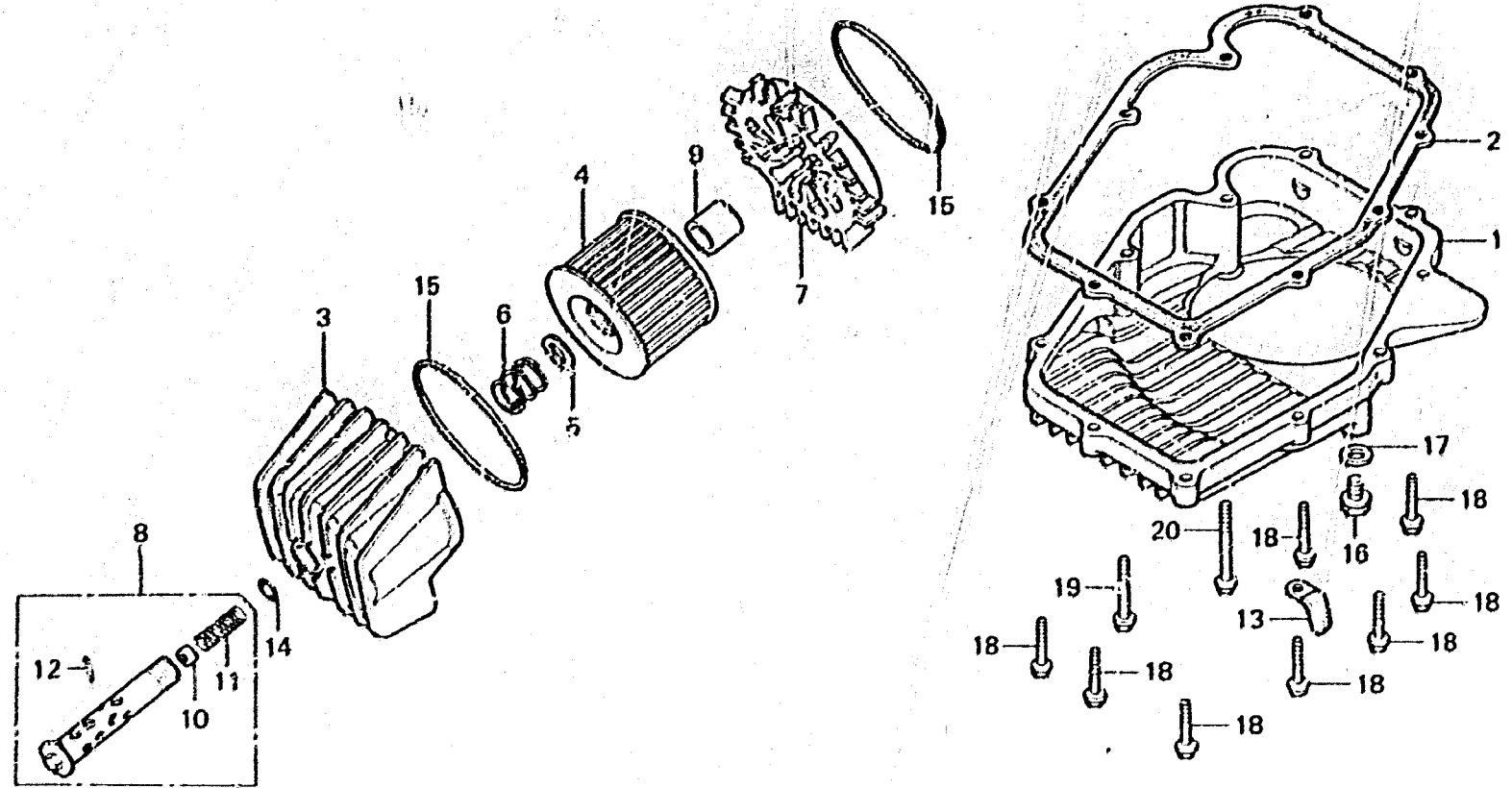


J 2

E-12

Oil filter • Oil pan



E410-3

Service item	F.R.T.	Ref. No.	Part No.	Description	Reqd. No C3750 F2 F3	Serial No.	Area code
OIL PAN/OIL PAN GASKET	08	1	11210-410-000	PAN, OIL	1 1		
OIL FILTER ELEMENT and its related parts	02	2	11398-300-050	GASKET, OIL PAN	1 1		
		3	15411-410-000	CASE, OIL FILTER	1 1		
		4	15412-300-024	ELEMENT, OIL FILTER	1 1		
		5	15414-300-000	SEAT, OIL FILTER SPRING (TOKYO ROKI)	1 1		
		6	15415-300-000	SPRING, OIL FILTER ELEMENT SET	1 1		
		7	15416-410-000	BASE, OIL FILTER	1 1		
		8	15420-333-000	BOLT COMP., OIL FILTER CENTER	1 1		
		9	15423-333-000	CELLAR, OIL FILTER BOLT	1 1		
		10	15473-300-300	VALVE, CHECK	1 1		
		11	15474-300-310	SPRING, CHECK VALVE	1 1		
		12	15477-300-300	PIN, SPRING SET	1 1		
		13	32111-300-000	CLAMPER, CORD	1 1		
		14	91304-028-000	O-RING, 15X2.5	1 1		
		15	91316-300-005	O-RING, 29X4.5	2 2		
		16	92800-12000	BOLT, DRAIN PLUG, 12MM	1 1		
		17	94109-12000	WASHER, DRAIN PLUG, 12MM	1 1		
		18	95700-06028-00	BOLT, FLANGE, 6X28	8 8		
		19	95700-06040-00	BOLT, FLANGE, 6X40	1 1		
		20	95700-06050-00	BOLT, FLANGE, 6X50	1 1		

1978.09.10