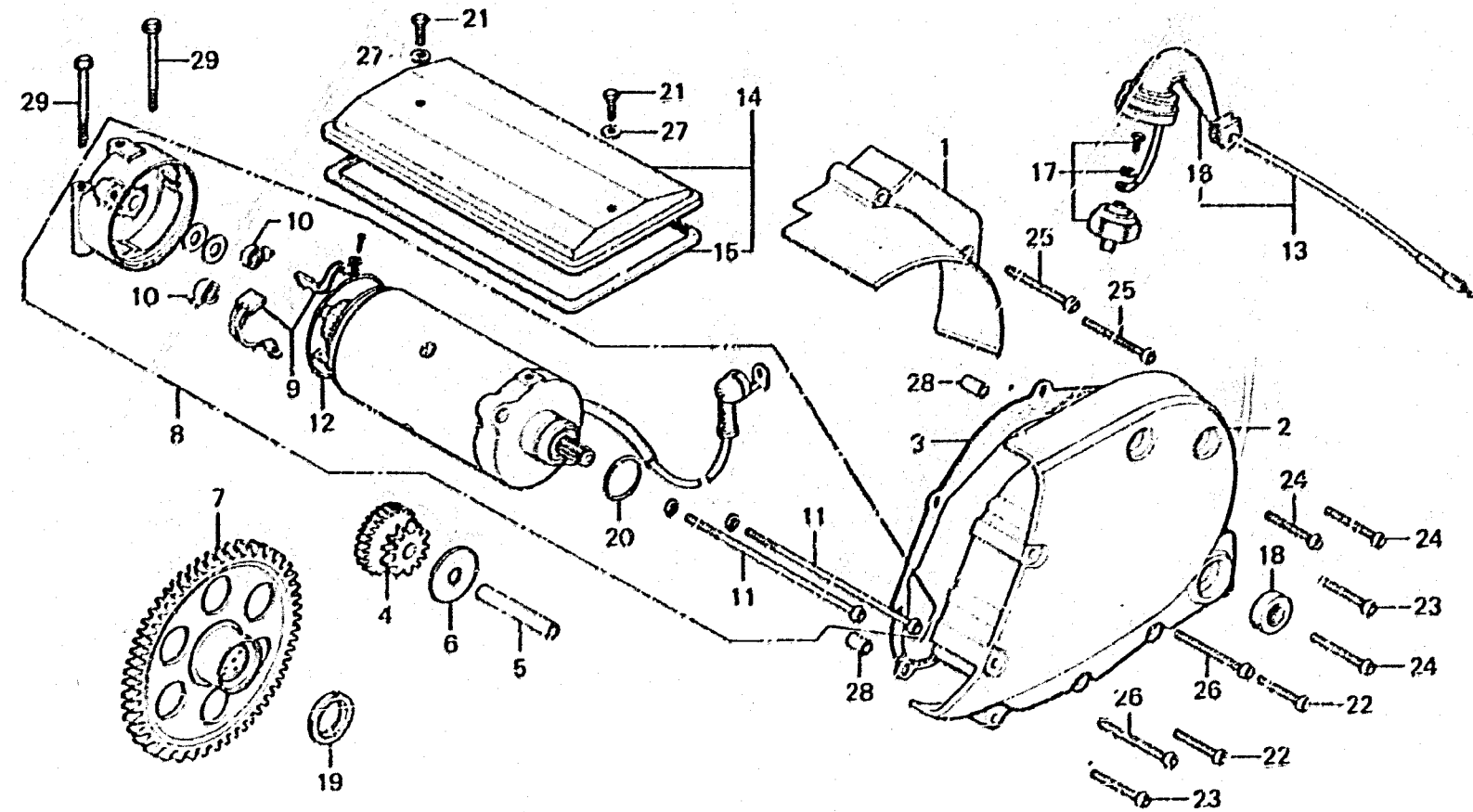


J 1

E-11

Starting motor •
Crankcase cover



B332-10

Service item	F.R.T.	Ref. No.	Part No.	Description	Reqd. No. CB750 F2 F3	Serial No.	Area code
		21	92000-06012-02	BOLT, HEX., 6X12	2 2		
		22	93500-06032	SCREW, PAN, 6X32	2 2		
		23	93500-06035	SCREW, PAN, 6X35	2 2		
		24	93500-06040	SCREW, PAN, 6X40	3 3		
		25	93500-06050	SCREW, PAN, 6X50	2 2		
		26	93500-06055	SCREW, PAN, 6X55	4 4		
		27	94101-06200	WASHER, PLAIN, 6MM	2 2		
		28	94301-08140	PIN A, DWEL, 8X14	2 2		
		29	95700-06055-00	BOLT, FLANGE, 6X55	2 2		

1978.09.10