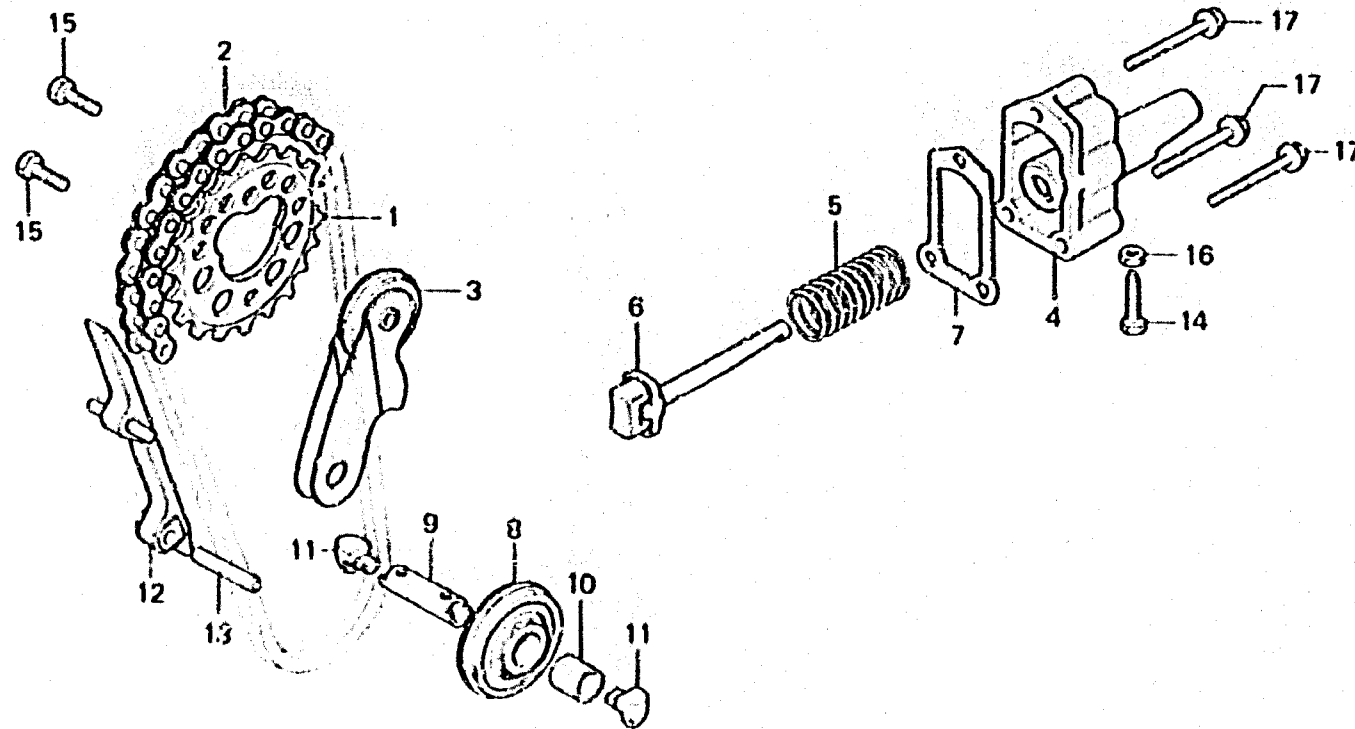


1 8

E-6

Cam chain • Tensioner



E392-3B

Service Item	F.R.T.	Ref. No.	Part No.	Description	Reqd. No. C8760 F2 F3	Serial No.	Area code
CAM CHAIN	7.7	1	14321-392-000	SPROCKET, CAM	1 1		
CAM CHAIN TENSIONER/CAM CHAIN	5.0	2	14401-410-003	CHAIN, CAM	1 1		
GUIDE ROLLER		3	14500-300-000	TENSIONER COMP., CAM CHAIN	1 1		
CAM SPROCKET	3.8	4	14530-300-010	HOLDER COMP., CAM CHAIN	1 1		
CAM CHAIN TENSIONER HOLDER	0.3	5	14541-300-000	SPRING, CAM CHAIN TENSIONER	1 1		
and its related parts		6	14550-300-030	BAR COMP., CAM CHAIN TENSIONER	1 1		
		7	14592-300-000	GASKET, CAM CHAIN TENSIONER	1 1		
		8	14601-312-000	ROLLER, CAM CHAIN GUIDE	1 1		
		9	14605-286-020	PIN, CAM CHAIN ROLLER	1 1		
		10	14606-286-000	COLLAR, CAM CHAIN ROLLER	1 1		
		11	14607-300-000	RUBBER, CAM CHAIN ROLLER PIN	2 2		
		12	14611-300-000	GUIDE, CAM CHAIN	1 1		
		13	14612-286-000	PIN, CAM CHAIN GUIDE	1 1		
		14	90009-300-010	BOLT, TENSIONER ADJUSTING	1 1		
		15	90081-246-000	BOLT, KNUCK, 7X12	2 2		
		16	94002-06000-05	NUT, HEX., 6MM	1 1		
		17	95700-06040-00	BOLT, FLANGE, 6X40	3 3		

1978.09.10