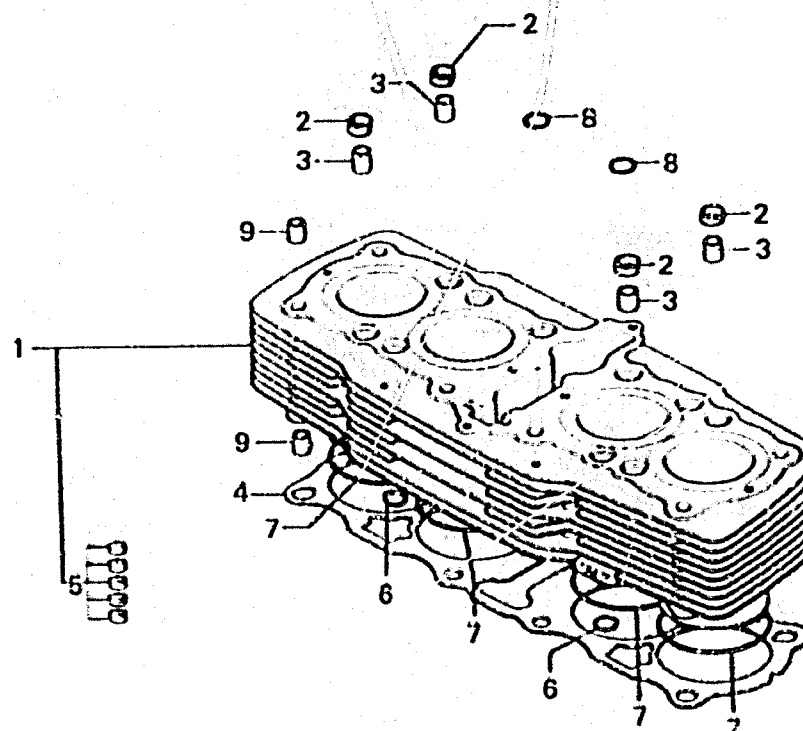


1 5

E-3

Cylinder



6410-2

Service Item	F.R.T.	Ref. No.	Part No.	Description	Reqd. No. CB750 F2 F3	Serial No.	Area code	
CYLINDER COMP./CYLINDER GASKET	±5.1	1	12100-410-000	CYLINDER COMP.	1	1006022	E, ED, F, J	
					1	2613818	A, CH, DK, DM, U	
			12100-410-010	CYLINDER COMP.	1	1006023	3111465	E, ED, F, J
					1	2613819		A, CH, DK, DM, U
					1	3111466		
		2	12115-300-000	PACKING, CYLINDER STUD BOLT	4	4		
		3	12116-300-000	PIN, SPECIAL KNOCK, 12MM	4	4		
		4	12191-300-030	GASKET, CYLINDER	1	1		
		5	12195-410-000	RUBBER, INSERT	20	20		
		6	91301-410-000	O-RING, 5.5X3	4	4		
7	91304-286-000	O-RING, 61.8X2.0	4	4				
8	91310-300-000	O-RING, 11X2.5	2	2				
9	94301-12180	PIN A, DOWEL, 12X18	4	4				

1978.09.10