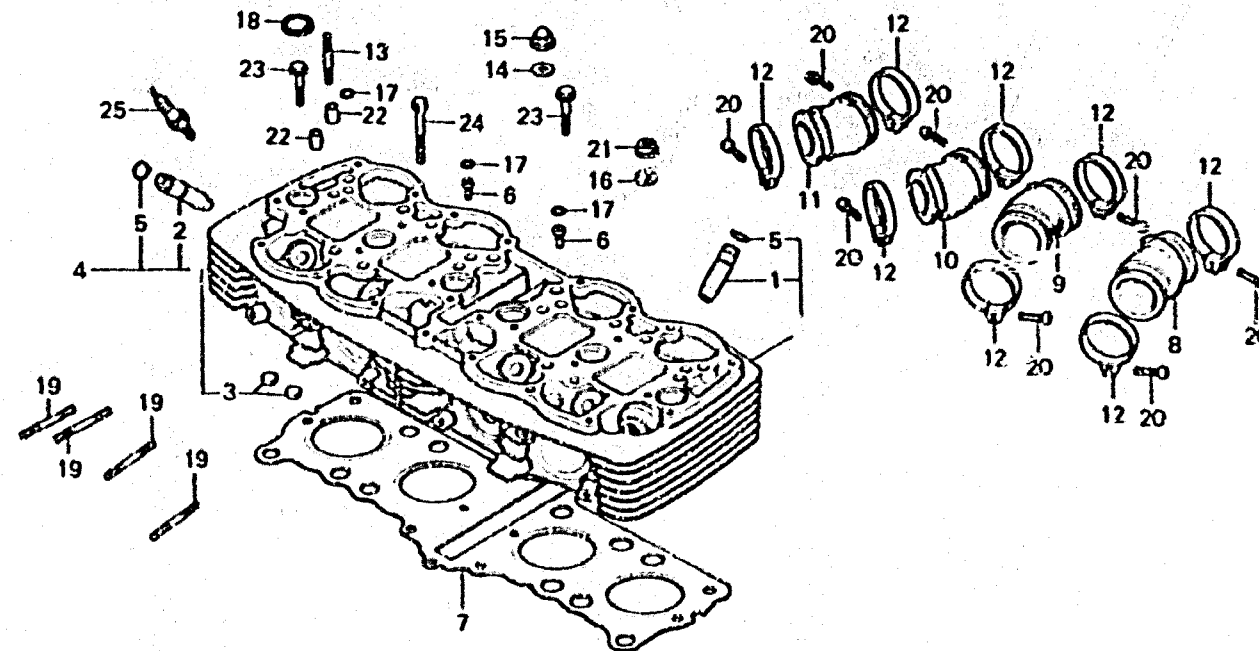


1 3

E-2

Cylinder head



B410-1

Service item	F.R.T.	Ref. No.	Part No.	Description	Reqd. No. CB750 F2 F3	Serial No.	Area code
CYLINDER HEAD COMP.	±8.1	1	12021-410-300	GUIDE, IN. VALVE	4 4		
VALVE GUIDE	±5.1	2	12023-410-300	GUIDE, EX. VALVE	4 4		
• Reaming included add 0.2		3	12195-410-000	RUBBER, INSERT	2 2		
Valve seat refacing excluded,		4	12200-410-000	HEAD COMP., CYLINDER	1 1		
If it refaced and more 0.2		5	12211-230-310	CLIP, VALVE GUIDE	8 8		
CYLINDER HEAD GASKET	±4.6	6	12238-300-010	ORIFICE, OIL CONTROL	2 2		
OIL CONTROL ORIFICE	±4.0	7	12251-410-000	GASKET, CYLINDER HEAD	1 1		
CARBURETOR INSULATOR	0.9	8	16211-410-000	INSULATOR 1, CARBURETOR	1 1		
8 x 50 STUD BOLT	0.5	9	16212-410-000	INSULATOR 2, CARBURETOR	1 1		
• Add 0.1		10	16213-410-000	INSULATOR 3, CARBURETOR	1 1		
SPARK PLUG	0.1	11	16214-410-000	INSULATOR 4, CARBURETOR	1 1		
		12	17255-405-000	BAND, INSULATOR	8 8		
		13	90055-300-000	BOLT, STUD, 6X58	4 4		
		14	90441-377-000	WASHER, SEALING, 8MM	4 4		
		15	90441-107-000	NUT, CAP, 8MM	4 4		
		16	90485-035-000	WASHER, 14MM	12 12		
		17	91305-323-000	O-RING, 5.8X1.9	4 4		
		18	91318-300-013	RUBBER, SEALING	6 6		
		19	92700-08050-0E	BOLT, STUD, 8X50	8 8		
		20	93500-04022-0A	SCREW, PAN, 4X22	8 8		
		21	94050-08000	NUT, FLANGE, 8MM	12 12		
		22	94301-08140	PIN A, DOWEL, 8X14	6 6		
		23	95700-06035-00	BOLT, FLANGE, 6X35	5 5		
		24	95700-06090-00	BOLT, FLANGE, 6X90	1 1		
		25	98069-38710	PLUG, SPARK (D-BES-L NGK)	4 4		
			98069-38716	PLUG, SPARK (DRBES-L NGK)	4 4		

2612548 A, 5X, DM, U
CH, E, ED, F, J

1978.09.10