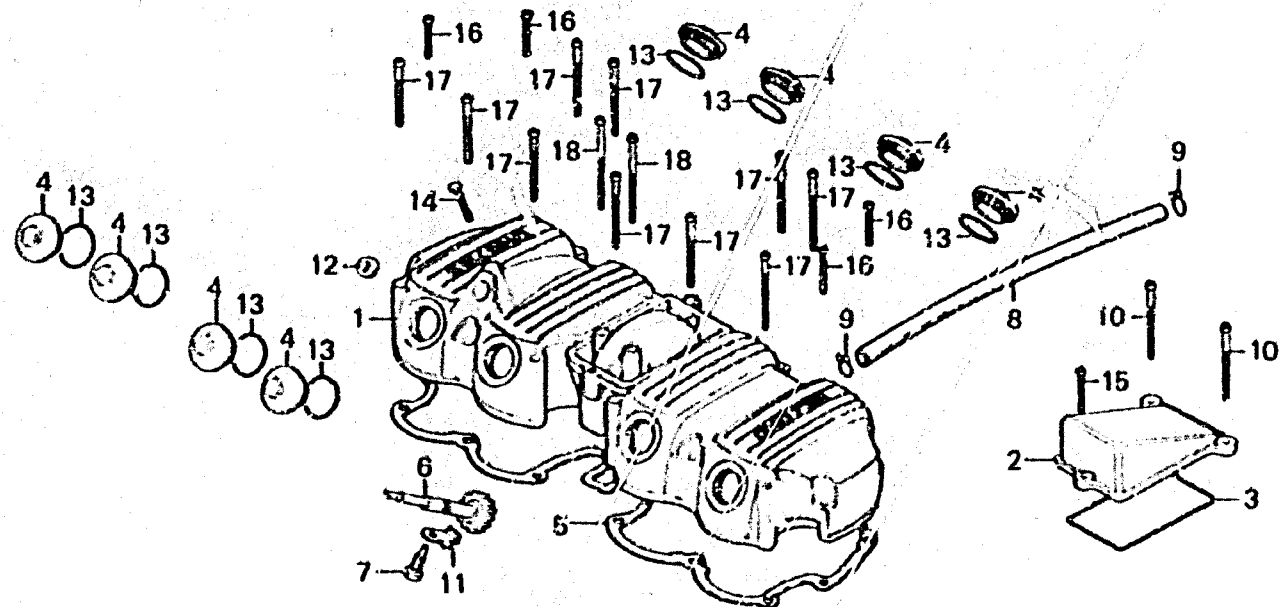


1 2

E-1

Cylinder head cover



146-1

Service Item	F.R.T.	Ref. No.	Part No.	Description	Reqd. No. CB760 F2, F3	Serial No.	Area code
CYLINDER HEAD COVER	2.3	1	12310-410-010	COVER, CYLINDER HEAD	1		
TACHOMETER GEAR and its related parts	3.2		12310-410-600	COVER, CYLINDER HEAD	1		
CYLINDER HEAD COVER GASKET	3.1	2	12321-410-000	COVER, HEAD BREATHER	1	1004333	E,ED,F,)
HEAD BREATHER COVER	3.0		12321-410-600	COVER, HEAD BREATHER	1	2612797	A,CH,OK,OM,U
BREATHER TUBE	0.1				1	1004334	E,ED,F,)
					1	2612798	A,CH,OK,OM,U
		1	12329-300-020	GASKET, BREATHER COVER	1		
		4	12361-300-000	CAP, TAPPET ADJUSTING HOLE	8		
		5	12391-300-040	GASKET, CYLINDER HEAD COVER	1		
		6	12431-300-010	GEAR, TACHOMETER	1		
		7	12435-300-003	BOLT, TACHOMETER GEAR STOPPER	1		
		8	15713-405-000	TUBE, BREATHER	1		
			15713-405-600	TUBE, BREATHER	1		
		9	15772-292-010	CLIP, BREATHER TUBE	2		
			90646-657-000	CLIP, AIR HOSE, 16	2		
		10	90018-300-000	SCREW, PAN, 6X75	2		
		11	90439-300-000	WASHER, LOCK	1		
		12	91211-286-003	OIL SEAL, 4.8X14.5X4	1		
		13	91302-001-020	O-RING, 30.8MM	8		
		14	93500-05025-1A	SCREW, PAN, 5X25	1		
		15	93500-06020	SCREW, PAN, 6X20	1		
		16	93500-06040	SCREW, PAN, 6X40	4		
		17	93500-06060	SCREW, PAN, 6X60	10		
		18	93500-06080	SCREW, PAN, 6X80	2		

1978.09.10