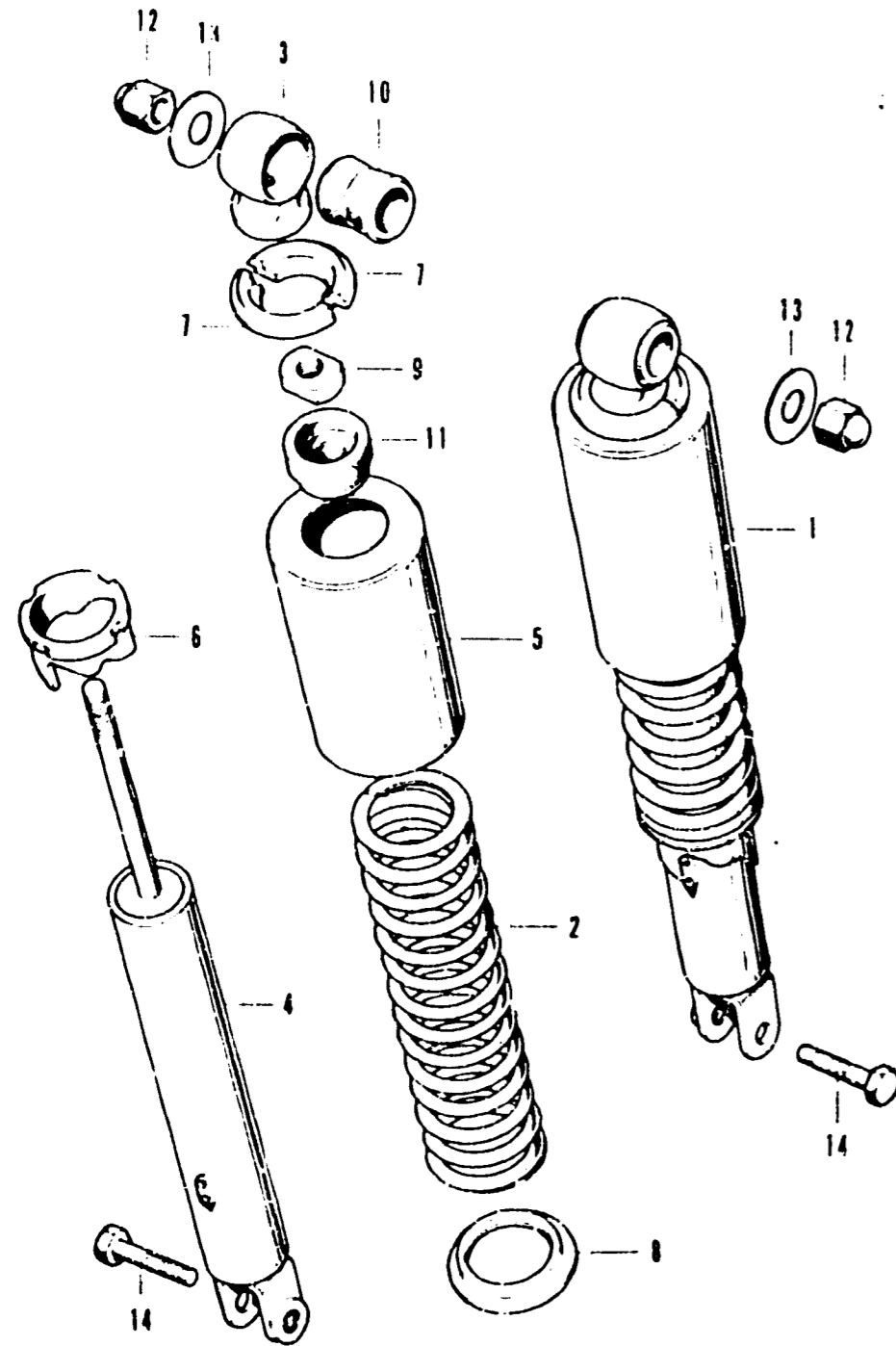


## F-18 Rear shock absorber

## F-18 Rear shock absorber



| Ref. No. | Part No.        | Description                         | Reqd. No.<br>CB350<br>F F1 | Serial No. | Area code |
|----------|-----------------|-------------------------------------|----------------------------|------------|-----------|
| 1        | 52400-333-000XW | CUSHION ASSY., RR.                  | 2 2                        |            |           |
| 2        | 52401-317-700   | SPRING, RR. CUSHION                 | 2 2                        |            |           |
| 3        | 52403-317-700   | JOINT, UPPER                        | 2 2                        |            |           |
| 4        | 52410-333-000   | DAMPER COMP., RR.                   | 2 2                        |            |           |
| 5        | 52421-292-670XW | CASE, RR. CUSHION UPPER             | 2 2                        |            |           |
| 6        | 52422-331-003   | ADJUSTER, RR. CUSHION SPRING        | 2 2                        |            |           |
| 7        | 52424-331-003   | STOPPER, SPRING SEAT (SHOWA)        | 4 4                        |            |           |
| 8        | 52458-317-700   | SEAT, SPRING UNDER                  | 2 2                        |            |           |
| 9        | 52462-331-003   | NUT, LOCK, 9MM (SHOWA)              | 2 2                        |            |           |
| 10       | 52484-292-000   | RUBBER, JOINT                       | 2 2                        |            |           |
| 11       | 52517-331-003   | PUBBER, RR. CUSHION STOPPER (SHOWA) | 2 2                        |            |           |
| 12       | 90309-315-000   | NUT, RR. CUSHION UPPER              | 2 2                        |            |           |
| 13       | 90527-230-000   | WASHER, PLAIN, 10.3MM               | 2 2                        |            |           |
| 14       | 93000-10032-08  | BOLT, HEX., 10X32                   | 2 2                        |            |           |