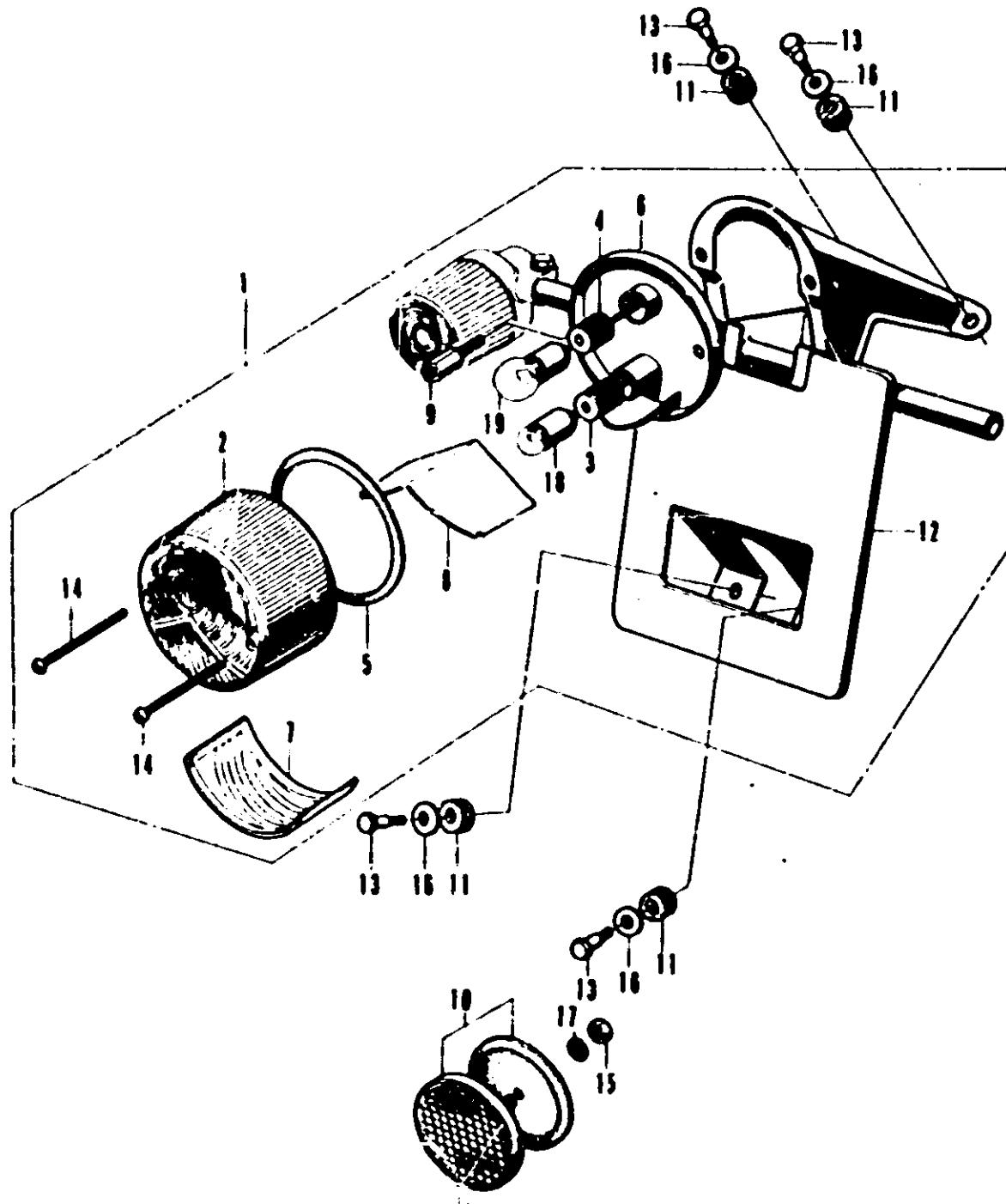


F-22-3 Tail Light (Used in G)



F-22-3 Tail Light (Used in G)



Ref. No.	Part. No.	Description	Reqd. No.			Serial No	Area code
			CB250 B4 K1	CB350 B4 K4	CL350 P4 K4		
1	33700-292-610	TAILLIGHT ASSY	1	1	1		G
2	33701-051-000	LENS, TAIL & STOP LIGHT	1	1	1		G
3	33707-292-610	CONO COPP., TAIL LIGHT	1	1	1		G
4	33708-292-610	CONO, STOP LIGHT	1	1	1		G
5	33709-051-000	PACKING, TAIL LIGHT LENS	1	1	1		G
6	33710-292-610	SOCKET, TAIL LIGHT	1	1	1		G
7	33715-051-000	LENS, LICENSE	1	1	1		G
8	33716-051-000	PLATE, INTERCEPTION	1	1	1		G
9	33717-292-610	BOLT, TAIL LIGHT SETTING	2	2	2		G
10	33741-292-610	REFLECTOR ASSY., REFLEX	1	1			G
	33741-333-610	REFLECTOR, REFLEX	1	1			G
11	80101-283-000	PURNER, REAR FENDER CUSHION	4	4	4		G
12	84701-292-610B	BRACKET, MUDGER PLATE	1	1	1		G
	84701-292-610Z	BRACKET, MUDGER PLATE	1	1	1		G
13	90162-292-000	BOLT, FRONT FENDER SETTING	4	4	4		G
	90162-283-000	BOLT, REAR FENDER SETTING	4	4	4	5020165 41C8740	G
14	93500-03045-08	SCREW, PAN, 3/16S	2	2	2		G
15	94001-06000	NUT, HEX., 6/16	1	1			G
	94001-05000-05	NUT, HEX., 5/16	1	1			G
16	94101-08000	WASHER, PLAIN, 8/16	4	4	4		G
17	94111-06000	WASHER, SPRING, 6/16	1	1			G
	94111-05000	WASHER, SPRING, 5/16	1	1			G
18	LOCAL PROCUREMENT	BULB, TAIL (12V 5W)	1	1	1		G
19	LOCAL PROCUREMENT	BULB, STOP (12V 18W)	1	1	1		G

B317-53