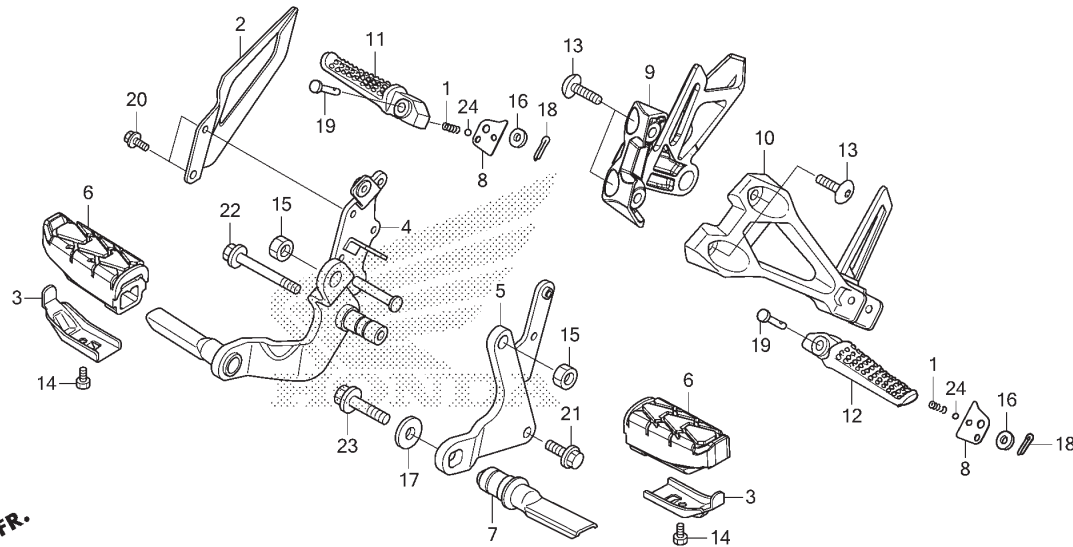


F-30

STEP



K56GF3000

No. Ref.	L.O.N.	(Nomor ref. relatif) Deskripsi	F.R.T.
2	4101A0	GUARD, STEP.....	0,1
4	4101N2	HOLDER, STEP :RIGHT.....	0,2
5	4101N1	HOLDER, STEP :LEFT.....	0,7
	4101N6	HOLDER, STEP :KEDUA-DUANYA.....	0,8
6	4101D3	RUBBER, STEP :LEFT.....	0,1
	4101D4	RUBBER, STEP :RIGHT.....	0,1
	4101L8	RUBBER, STEP :KEDUA-DUANYA.....	0,1
7	4101C5	BAR, MAIN STEP :LEFT.....	0,1
9	4101D0	BRACKET, PILLION STEP :RIGHT...	0,1
10	4101C9	BRACKET, PILLION STEP :LEFT....	0,1
	4101K4	BRACKET, PILLION STEP :KEDUA-DUANYA	0,2
11	4101C8	BAR, PILLION STEP :RIGHT.....	0,1
12	4101C7	BAR, PILLION STEP :LEFT.....	0,1
	4101P4	BAR, PILLION STEP :KEDUA-DUANYA	0,2

No. Ref.	No. Part	Deskripsi	Jumlah SUPRA GTR 150 (FS150F) 2016(G)	No. Seri	Kode Parts Catalog
1	28333-300-000	SPRING, KICK STARTER STOPPER..	2		
2	50606-K56-N00	GUARD, R. HEEL.....	1		
3	50619-K56-N00	PLATE, STEP LOWER.....	2		
4	50650-K56-N00	HOLDER, R. MAIN STEP.....	1		
5	50660-K56-N00	HOLDER, L. MAIN STEP.....	1		
6	50661-KYE-900	RUBBER, MAIN STEP.....	2		
7	50670-K56-N00	BAR COMP., L. STEP.....	1		
8	50711-K15-900	PLATE, PILLION STEP CLICK.....	2		
9	50715-K56-N10	HOLDER, R. PILLION STEP.....	1		
10	50716-K56-N00	HOLDER, L. PILLION STEP.....	1		
11	50720-KT7-761	BAR, R. PILLION STEP.....	1		
12	50730-KT7-761	BAR, L. PILLION STEP.....	1		
13	90128-KET-900	BOLT, SOCKET, 8X22.....	4		
14	96001-06012-07	BOLT, HEX., 6X12.....	2		
15	94002-12000-0S	NUT, HEX., 12MM.....	2		
16	94101-06000	WASHER, PLAIN, 6MM.....	2		
17	94103-10001	WASHER, PLAIN, 10MM.....	1		
18	94201-16150	PIN, SPLIT, 1.6X15.....	2		
19	95015-83000	PIN C, PILLION STEP.....	2		
20	95701-06010-00	BOLT, FLANGE, 6X10.....	2		
21	95701-08020-00	BOLT, FLANGE, 8X20.....	1		
22	95701-08065-00	BOLT, FLANGE, 8X65.....	1		
23	95701-10030-00	BOLT, FLANGE, 10X30.....	1		
24	96211-08000	BALL, STEEL, #8(1/4).....	2		