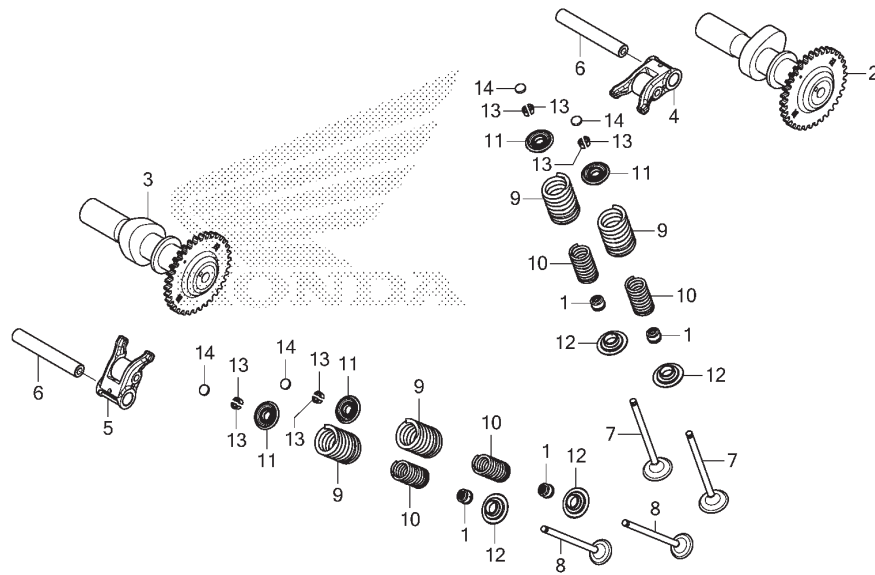


E-3

CAMSHAFT/VALVE



No. Ref.	L.O.N.	(Nomor ref. relatif) Deskripsi	F.R.T.
+9	1111P3	EXHAUST VALVE SPRING DAN/ATAU STEM SEAL(SATU)	2,6
	1111P3A	.Ganti semua exhaust spring tambahkan	0,1
	1111Q2	VALVE SPRING DAN/ATAU STEM SEAL :UNTUK 1 KENDARAAN	2,9



K56GE0300

No. Ref.	No. Part	Deskripsi	Jumlah SUPRA GTR 150(FS150F) 2016(G)	No. Seri	Kode Parts Catalog
14)	14924-KT7-013	SHIM, TAPPET(1.775)	4		
	14925-KT7-013	SHIM, TAPPET(1.800)	4		
	14926-KT7-013	SHIM, TAPPET(1.825)	4		
	14927-KT7-013	SHIM, TAPPET(1.850)	4		
	14928-KT7-013	SHIM, TAPPET(1.875)	4		
	14929-KT7-013	SHIM, TAPPET(1.900)	4		
	14930-KT7-013	SHIM, TAPPET(1.925)	4		
	14931-KT7-013	SHIM, TAPPET(1.950)	4		
	14932-KT7-013	SHIM, TAPPET(1.975)	4		
	14933-KT7-013	SHIM, TAPPET(2.000)	4		
	14934-KT7-013	SHIM, TAPPET(2.025)	4		
	14935-KT7-013	SHIM, TAPPET(2.050)	4		
	14936-KT7-013	SHIM, TAPPET(2.075)	4		
	14937-KT7-013	SHIM, TAPPET(2.100)	4		
	14938-KT7-013	SHIM, TAPPET(2.125)	4		
	14939-KT7-013	SHIM, TAPPET(2.150)	4		
	14940-KT7-013	SHIM, TAPPET(2.175)	4		
	14941-KT7-013	SHIM, TAPPET(2.200)	4		
	14942-KT7-013	SHIM, TAPPET(2.225)	4		
	14943-KT7-013	SHIM, TAPPET(2.250)	4		
	14944-KT7-013	SHIM, TAPPET(2.275)	4		
	14945-KT7-013	SHIM, TAPPET(2.300)	4		
	14946-KT7-013	SHIM, TAPPET(2.325)	4		
	14947-KT7-013	SHIM, TAPPET(2.350)	4		
	14948-KT7-013	SHIM, TAPPET(2.375)	4		
	14949-KT7-013	SHIM, TAPPET(2.400)	4		
	14950-KT7-013	SHIM, TAPPET(2.425)	4		
	14951-KT7-013	SHIM, TAPPET(2.450)	4		