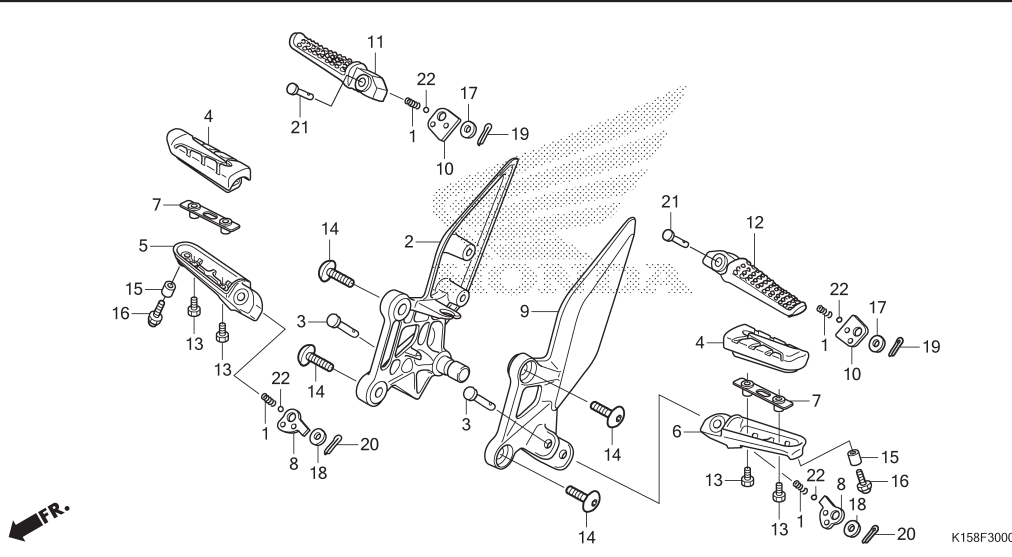


F-30

STEP



No. Ref.	L.O.N.	(Nomor ref. relatif) Deskripsi	F.R.T.
2	4101N2	HOLDER, STEP :KANAN	0,3
5	4101C6	BAR, MAIN STEP :KANAN	0,1
6	4101C5	BAR, MAIN STEP :KIRI	0,1
	4101J1	BAR, MAIN STEP :KEDUA-DUANYA	0,2
9	4101N1	HOLDER, STEP :KIRI	0,2
	4101N6	HOLDER, STEP :KEDUA-DUANYA	0,5
11	4101C8	BAR, PILLION STEP :KANAN	0,1
12	4101C7	BAR, PILLION STEP :KIRI	0,1
	4101P4	BAR, PILLION STEP :KEDUA-DUANYA	0,2

3

No. Ref.	No. Part	Deskripsi	Jumlah CB150R 2012	No. Seri	Kode Parts Catalog
1	28333-300-000	SPRING, KICK STARTER STOPPER	4		
2	50600-K15-900	HOLDER, R. STEP	1		
3	50603-033-010	PIN, STEP BAR JOINT	2		
4	50610-K15-900	RUBBER, MAIN STEP	2		
5	50611-K15-900	BAR, R. MAIN STEP	1		
6	50612-K15-900	BAR, L. MAIN STEP	1		
7	50613-K15-900	PLATE, STEP SETTING	2		
8	50614-K15-900	PLATE, MAIN STEP CLICK	2		
9	50700-K15-900	HOLDER, L. STEP	1		
10	50711-K15-900	PLATE, PILLION STEP CLICK	2		
11	50720-KT7-761	BAR, R. PILLION STEP	1		
12	50730-KT7-761	BAR, L. PILLION STEP	1		
13	90108-K15-900	BOLT, SPECIAL, 5X14	4		
14	90128-KET-900	BOLT, SOCKET, 8X22	4		
15	90311-K15-900	COLLAR, 6MM	2		
16	92501-06016-0A	BOLT, CAP, 6X16	2		
17	94101-06000	WASHER, PLAIN, 6MM	2		
18	94102-08000	WASHER, PLAIN, 8MM	2		
19	94201-16150	PIN, SPLIT, 1.6X15	2		
20	94201-20150	PIN, SPLIT, 2.0X15	2		
21	95015-81000	PIN A, PILLION STEP	2		
22	96211-08000	BALL, STEEL, #8(1/4)	4		