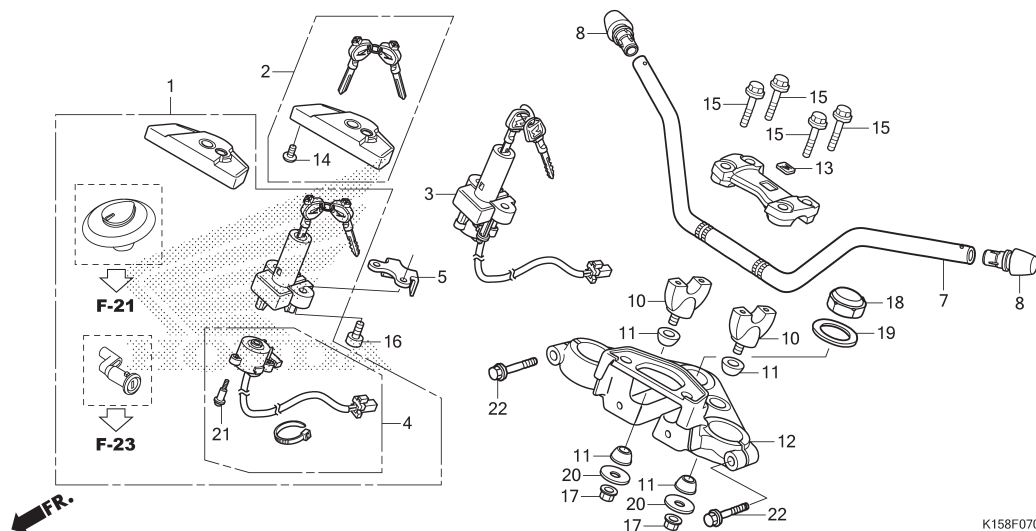


# F-7

# HANDLE PIPE/TOP BRIDGE



| No. Ref. | L.O.N.  | (Nomor ref. relatif)<br>Deskripsi     | F.R.T. |
|----------|---------|---------------------------------------|--------|
| 1        | 6151A1  | KEY SET .....                         | 2,5    |
| 2        | 6151A2  | KEY, SHUTTER .....                    | 1,2    |
| 3        | 615145  | SWITCH, COMBINATION & LOCK .....      | 1,2    |
| 4        | 6151C2  | BASE, CONTACT .....                   | 0,7    |
| 7        | 810100  | PIPE, STEERING HANDLE .....           | 0,5    |
| 10       | 8101B9  | HOLDER, HANDLE :BAWAH .....           | 0,2    |
|          | 8101B9A | .Ganti 1 handle holder tambahkan .... | 0,1    |
| 12       | 510110  | BRIDGE, FORK TOP .....                | 1,4    |

3

| No. Ref. | No. Part       | Deskripsi                              | Jumlah<br>CB150R<br>2012 | No. Seri | Kode Parts Catalog     |
|----------|----------------|--|--------------------------|----------|------------------------|
| 1        | 35010-K15-900  | KEY SET .....                          | 1                        |          |                        |
| 2        | 35011-KYE-900  | SHUTTER SET, KEY .....                 | (1)                      |          |                        |
| 3        | 35100-KYE-901  | SWITCH ASSY., COMBINATION & LOCK ..... | 1                        |          |                        |
| 4        | 35101-KYE-901  | BASE COMP., CONTACT .....              | 1                        |          |                        |
| 5        | 35106-KTC-900  | COVER, COMBINATION SWITCH .....        | 1                        |          |                        |
| 7        | 53100-K15-900  | PIPE, STEERING HANDLE .....            | 1                        |          |                        |
| 8        | 53105-KRC-900  | END, STEERING HANDLE .....             | 2                        |          |                        |
| 10       | 53132-KSP-860  | HOLDER, HANDLE UNDER<br>*NH303M* ..... | 2                        |          | MAT AXIS GRAY METALLIC |
| 11       | 53133-KSP-860  | RUBBER, HANDLE CUSHION .....           | 4                        |          |                        |
| 12       | 53230-KYE-900  | BRIDGE, FORK TOP<br>*NH303M* .....     | 1                        |          | MAT AXIS GRAY METALLIC |
| 13       | 86150-KPG-901  | EMBLEM, PRODUCT(MU) .....              | 1                        |          |                        |
|          | 86150-KPG-902  | EMBLEM, PRODUCT(UE) .....              | 1                        |          |                        |
|          | 86150-KTJ-C60  | EMBLEM, PRODUCT(SH) .....              | 1                        |          |                        |
| 14       | 90105-KEB-621  | BOLT, ONE WAY, 6X12 .....              | 1                        |          |                        |
| 15       | 90111-362-000  | BOLT, FLANGE, 8X36 .....               | 4                        |          |                        |
| 16       | 90131-KPH-881  | BOLT, TORX, 8X25 .....                 | 2                        |          |                        |
| 17       | 90304-KPG-902  | NUT, U, 8MM .....                      | 2                        |          |                        |
| 18       | 90304-KSP-900  | NUT, STEERING STEM .....               | 1                        |          |                        |
| 19       | 90503-KSP-900  | WASHER, STEERING STEM .....            | 1                        |          |                        |
| 20       | 90535-KYE-900  | WASHER, HANDLE UNDER HOLDER .....      | 2                        |          |                        |
| 21       | 91059-KY2-711  | SCREW, TAPPING, 3X16 .....             | 3                        |          |                        |
| 22       | 95701-08040-07 | BOLT, FLANGE, 8X40 .....               | 2                        |          |                        |