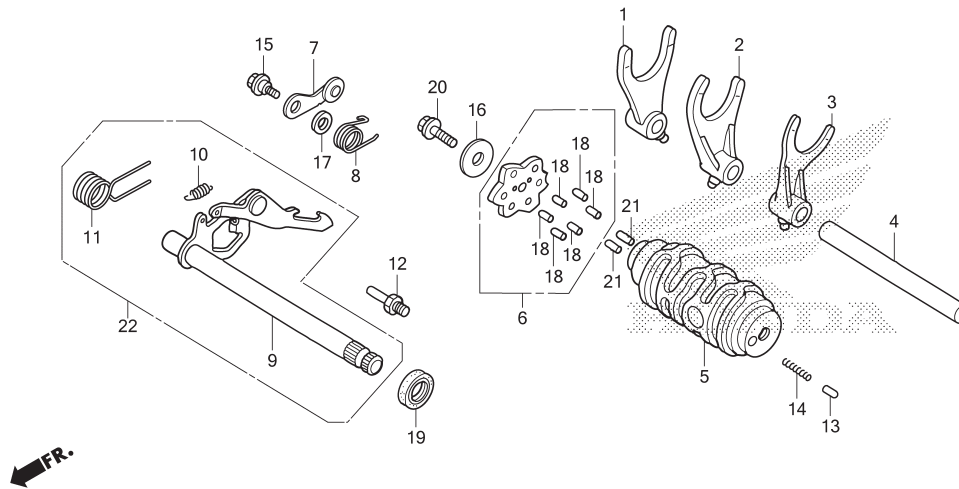


# E-19

# GEAR SHIFT DRUM



No. Ref.	L.O.N.	(Nomor ref. relatif) Deskripsi	F.R.T.
1	210112	(2,3) FORK, GEARSHIFT .....	5,2
.TERMASUK: penurunan dan pemasangan mesin			
.CATATAN: Waktu sama untuk 2 unit			
5	2101A9	DRUM, GEARSHIFT .....	5,2
.TERMASUK: penurunan dan pemasangan mesin			
6	2101D6	PLATE, GEARSHIFT DRUM STOPPER .....	0,8
7	210125	STOPPER OR SPRING, SHIFT DRUM .....	0,7
9	210122	SPINDLE, GEARSHIFT .....	0,9
19	1101F9	OIL SEAL, GEARSHIFT SPINDLE .....	0,9



No. Ref.	No. Part	Deskripsi	Jumlah CB150R 2012	No. Seri	Kode Parts Catalog
1	24211-KPP-900	FORK, R. GEARSHIFT .....	1		
2	24212-KPP-900	FORK, CENTER GEARSHIFT .....	1		
3	24213-KPP-900	FORK, L. GEARSHIFT .....	1		
4	24241-KPP-900	SHAFT, GEARSHIFT FORK .....	1		
5	24301-K15-900	DRUM, GEARSHIFT .....	1		
6	24410-K15-900	PLATE COMP., SHIFT DRUM STOPPER .....	1		
7	24430-KGH-901	STOPPER COMP., GEARSHIFT DRUM .....	1		
8	24436-K15-900	SPRING, DRUM STOPPER .....	1		
9	24610-KPP-900	SPINDLE COMP., GEARSHIFT .....	1		
10	24641-KBP-900	SPRING, GEARSHIFT ARM .....	1		
11	24651-K15-900	SPRING, GEARSHIFT RETURN .....	1		
12	24652-035-000	PIN, SHIFT RETURN SPRING .....	1		
13	35751-KPH-900	CAP, CHANGE SWITCH CONTACT .....	1		
14	35752-KPH-901	SPRING, CHANGE SWITCH CONTACT .....	1		
15	90022-MG8-000	PIVOT, SHIFT DRUM STOPPER ARM .....	1		
16	90402-KW7-901	WASHER, THRUST, 6MM .....	1		
17	90435-HB3-000	WASHER, 6.1MM .....	1		
18	91111-KW7-900	ROLLER, 4X10.8 .....	6		
19	91209-KWC-901	OIL SEAL, 12X22X7 .....	1		
20	95701-06016-00	BOLT, FLANGE, 6X16 .....	1		
21	96220-30085	ROLLER, 3X8.5 .....	2		
22	2461A-K15-900	SPINDEL ASSY., GEAR SHIFT .....	1		