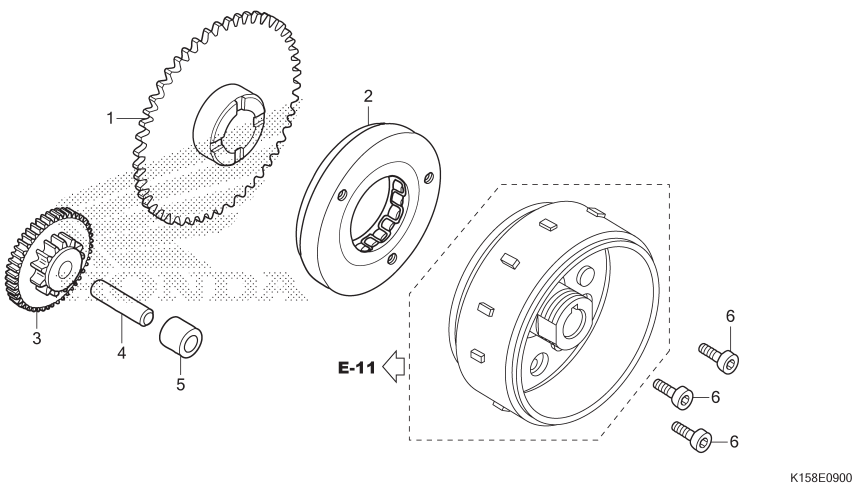


E-9

STARTING CLUTCH



FR.

No. Ref.	L.O.N.	(Nomor ref. relatif) Deskripsi	F.R.T.
1	612120	GEAR, STARTER DRIVEN	0,4
2	612131	OUTER, STARTING CLUTCH	0,5
3	612125	GEAR, STARTER REDUCTION	0,3

No. Ref.	No. Part	Deskripsi	Jumlah CB150R 2012	No. Seri	Kode Parts Catalog
1	28110-KGH-910	GEAR COMP., STARTER DRIVEN (53T).....	1		
2	28125-HC3-016	OUTER COMP., STARTING CLUTCH.....	1		
3	28131-K15-901	GEAR, STARTER REDUCTION (13T/53T).....	1		
4	28132-KGH-911	SHAFT, REDUCTION GEAR.....	1		
5	28133-KPP-900	COLLAR, STARTER REDUCTION.....	1		
6	90010-KM1-000	BOLT, SOCKET, 8X18.....	3		