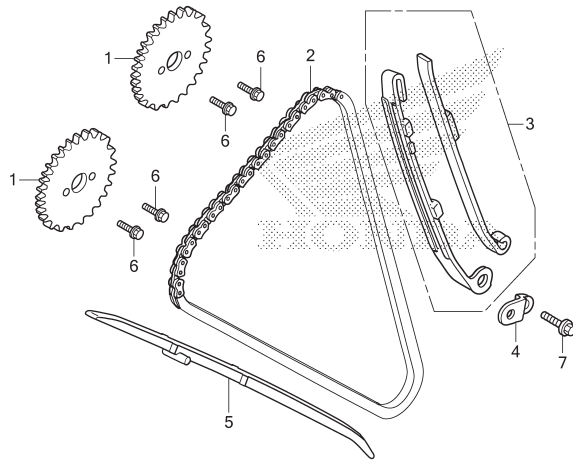


# E-4

# CAM CHAIN/TENSIONER



K158E0400

No. Ref.	L.O.N.	(Nomor ref. relatif) Deskripsi	F.R.T.
1	1111F7	SPROCKET, CAM :INTAKE .....	0,6
	1111F8	SPROCKET, CAM :EXHAUST .....	0,6
	1111F9	SPROCKET, CAM :UNTUK 1 KENDARAAN ....	0,7
2	110140	CHAIN, CAM .....	3,0
3	111130	TENSIONER, CAM CHAIN .....	3,0
5	111139	GUIDE, CAM CHAIN .....	2,6

No. Ref.	No. Part	Deskripsi	Jumlah CB150R 2012	No. Seri	Kode Parts Catalog
1	14321-KPP-900	SPROCKET, CAM(34T) .....	2		
2	14401-K15-901	CHAIN, CAM(114L)(FS) .....	1		
3	14510-KPP-T00	TENSIONER ASSY., CAM CHAIN .....	1		
4	14515-KGH-900	PLATE, TENSIONER SETTING .....	1		
5	14610-KPP-900	GUIDE, CAM CHAIN .....	1		
6	90083-GB6-110	BOLT, KNOCK, 5MM .....	4		
7	96001-06014-00	BOLT, FLANGE, 6X14 .....	1		