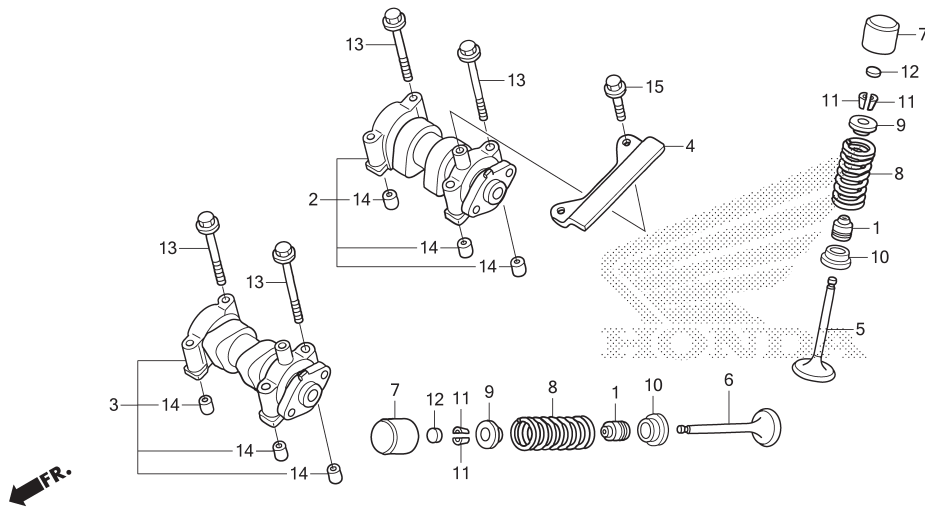


E-3

CAMSHAFT/VALVE



K158E0300

No. Ref. L.O.N. (Nomor ref. relatif) Deskripsi F.R.T.

2

No. Ref.	No. Part	Deskripsi	Jumlah CB150R 2012	No. Seri	Kode Parts Catalog
12)	14944-KT7-013	SHIM, TAPPET (2.275)	4		
	14945-KT7-013	SHIM, TAPPET (2.300)	4		
	14946-KT7-013	SHIM, TAPPET (2.325)	4		
	14947-KT7-013	SHIM, TAPPET (2.350)	4		
	14948-KT7-013	SHIM, TAPPET (2.375)	4		
	14949-KT7-013	SHIM, TAPPET (2.400)	4		
	14950-KT7-013	SHIM, TAPPET (2.425)	4		
	14951-KT7-013	SHIM, TAPPET (2.450)	4		
	14952-KT7-013	SHIM, TAPPET (2.475)	4		
	14953-KT7-013	SHIM, TAPPET (2.500)	4		
	14954-KT7-013	SHIM, TAPPET (2.525)	4		
	14955-KT7-013	SHIM, TAPPET (2.550)	4		
	14956-KT7-013	SHIM, TAPPET (2.575)	4		
	14957-KT7-013	SHIM, TAPPET (2.600)	4		
	14958-KT7-013	SHIM, TAPPET (2.625)	4		
	14959-KT7-013	SHIM, TAPPET (2.650)	4		
	14960-KT7-013	SHIM, TAPPET (2.675)	4		
	14961-KT7-013	SHIM, TAPPET (2.700)	4		
	14962-KT7-013	SHIM, TAPPET (2.725)	4		
	14963-KT7-013	SHIM, TAPPET (2.750)	4		
	14964-KT7-013	SHIM, TAPPET (2.775)	4		
	14965-KT7-013	SHIM, TAPPET (2.800)	4		
	14966-KT7-013	SHIM, TAPPET (2.825)	4		
	14967-KT7-013	SHIM, TAPPET (2.850)	4		
	14968-KT7-013	SHIM, TAPPET (2.875)	4		
	14969-KT7-013	SHIM, TAPPET (2.900)	4		
13	90003-MB0-000	BOLT, FLANGE, 6X43	8		
14	90702-KFM-901	DOWEL PIN, 8X12	8		
15	95701-06014-0	BOLT, FLANGE, 6X14	2		