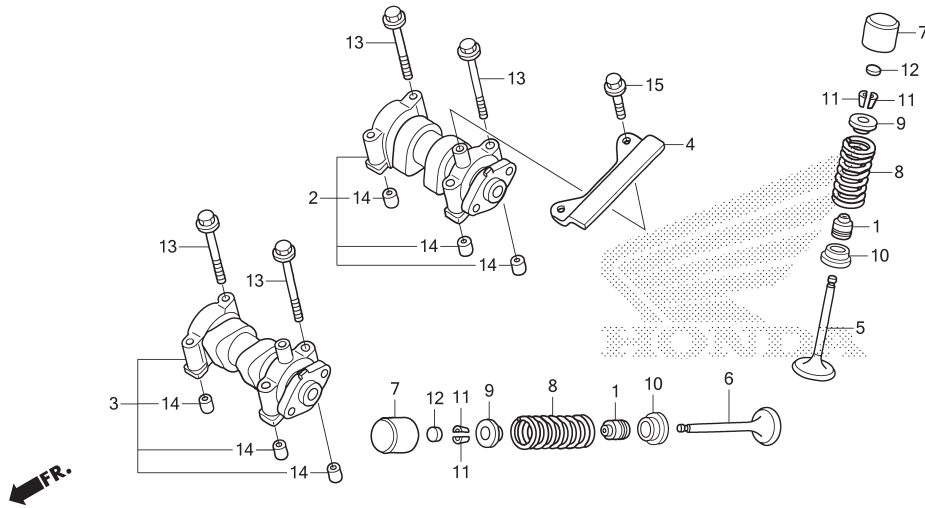


E-3

CAMSHAFT/VALVE



K158E0300

No. Ref.	L.O.N.	(Nomor ref. relatif) Deskripsi	F.R.T.
2	1111E5	CAMSHAFT : INTAKETERMASUK: Penyetelan renggang klep	0,9
3	1111E6	CAMSHAFT : EXHAUSTTERMASUK: Penyetelan renggang klep	0,9
	1111T4	CAMSHAFT : UNTUK 1 KENDARAANTERMASUK: Penyetelan renggang klep	1,2
4	1111G9	GUIDE B, CAM CHAIN	0,4
5	1111N0	VALVE, INTAKE(SATU)TERMASUK: Skir klep	3,0
	1111NOA	.Ganti semua intake valve tambahkan	0,2
6	1111N1	VALVE, EXHAUST(SATU)TERMASUK: Skir klep	3,0
	1111N1A	.Ganti semua exhaust valve tambahkan	0,2
	1111P0	VALVE : UNTUK 1 KENDARAANTERMASUK: Skir klep	3,6
8		(1,9,10,11)	
	1111P2	INTAKE VALVE SPRING DAN/ATAU STEM SEAL(SATU)	2,8
	1111P2A	.Ganti semua intake spring tambahkan	0,1
	+		



No. Ref.	No. Part	Deskripsi	Jumlah CB150R 2012	No. Seri	Kode Parts Catalog
1	12208-KY2-003	SEAL, VALVE STEM.....	4		
2	14110-K15-900	CAMSHAFT COMP., IN.....	1		
3	14210-K15-900	CAMSHAFT COMP., EX.....	1		
4	14546-KPP-900	GUIDE B, CAM CHAIN.....	1		
5	14711-KPP-900	VALVE, IN.....	2		
6	14721-KPP-T00	VALVE, EX.....	2		
7	14731-MCE-940	LIFTER, VALVE.....	4		
8	14751-K15-901	SPRING, VALVE(CH).....	4		
9	14771-KY2-000	RETAINER, VALVE SPRING.....	4		
10	14775-KY2-000	SEAT, VALVE SPRING.....	4		
11	14781-KY2-003	COTTER, VALVE.....	8		
12	14901-KT7-013	SHIM, TAPPET(1.200).....	4		
	14902-KT7-013	SHIM, TAPPET(1.225).....	4		
	14903-KT7-013	SHIM, TAPPET(1.250).....	4		
	14904-KT7-013	SHIM, TAPPET(1.275).....	4		
	14905-KT7-013	SHIM, TAPPET(1.300).....	4		
	14906-KT7-013	SHIM, TAPPET(1.325).....	4		
	14907-KT7-013	SHIM, TAPPET(1.350).....	4		
	14908-KT7-013	SHIM, TAPPET(1.375).....	4		
	14909-KT7-013	SHIM, TAPPET(1.400).....	4		
	14910-KT7-013	SHIM, TAPPET(1.425).....	4		
	14911-KT7-013	SHIM, TAPPET(1.450).....	4		
	14912-KT7-013	SHIM, TAPPET(1.475).....	4		
	14913-KT7-013	SHIM, TAPPET(1.500).....	4		
	14914-KT7-013	SHIM, TAPPET(1.525).....	4		
	14915-KT7-013	SHIM, TAPPET(1.550).....	4		