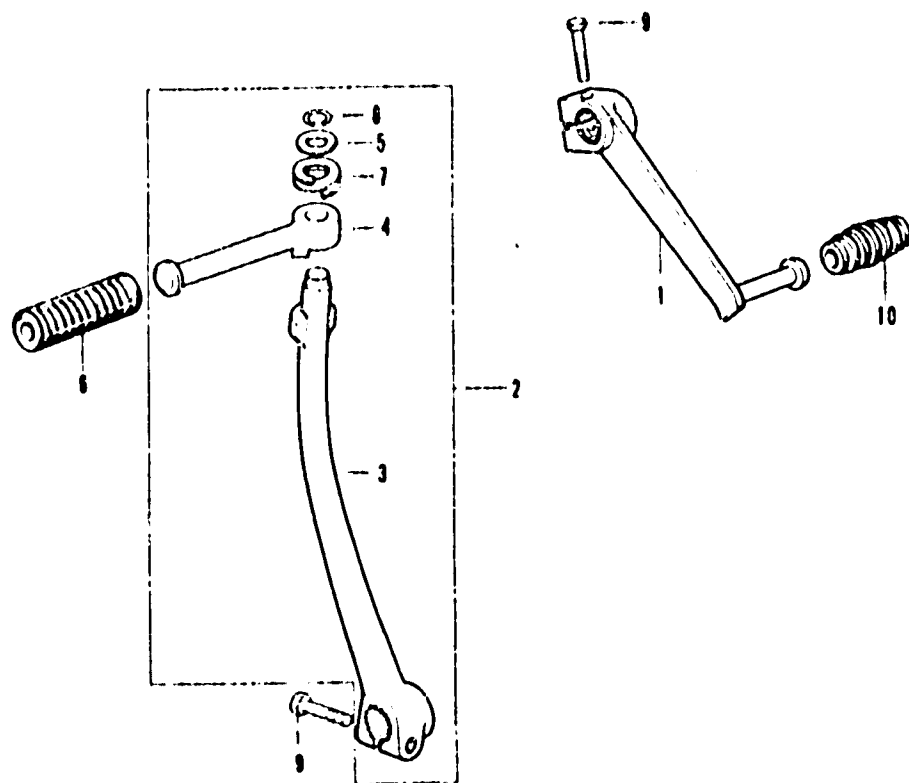


F-20 Change Pedal - Kick Starter



F-20 Change Pedal - Kick Starter

Ref. No.	Part No.	Description	Reqd. No.		Serial No.	Area Code
			SI.125	K1 K2		
1	24700-107-700	PEDAL COMP., GEAR CHANGE	1	1		
2	28300-331-671	ARM ASSY., KICK STARTER	1	1		
3	28301-331-671	ARM, KICK STARTER	1	1		
4	28302-001-000	PEDAL, KICK STARTER	1	1		
5	28303-001-000	WASHER, KICK STARTER KNUCKLE	1	1		
6	28311-001-000	RUBBER, KICK STARTER	1	1		A, D, F, G
	95011-51000	RUBBER AD, KICK STARTER	1	1		
7	28322-001-000	SPRING, KICK STARTER KNUCKLE	1	1		
8	28324-001-000	CLIP, KICK STARTER KNUCKLE	1	1		
9	92000-06020	BOLT, HEX., 6X20	2	2		
10	95011-40000	RUBBER, CHANGE PEDAL	1	1		



B331 52