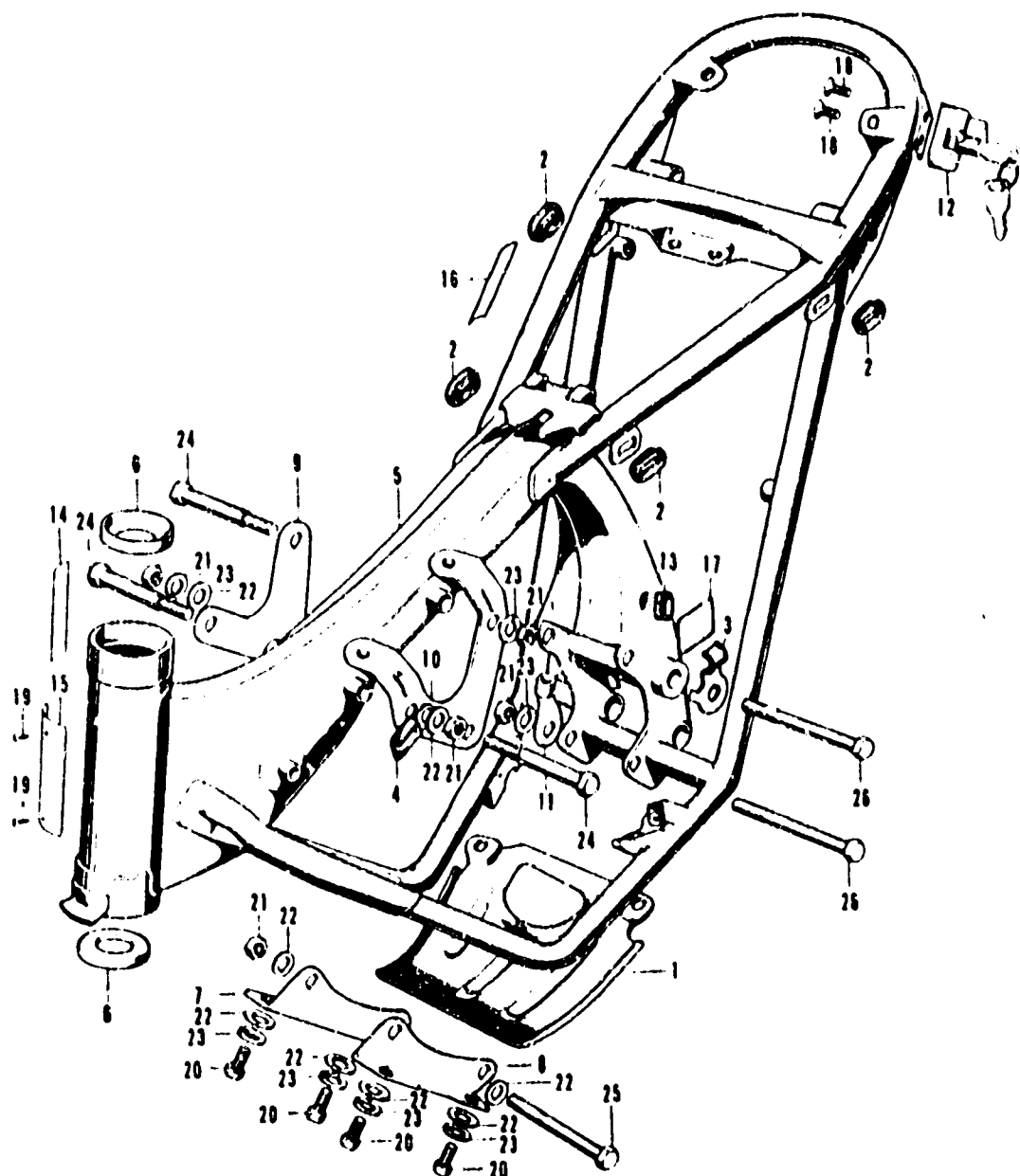


F-19 Frame Body

K 7

F-19 Frame Body



| Ref. No. | Part No. | Description | Reqd. No. | | Serial No. | Area Code |
|----------|-----------------|-------------------------------------------|-----------|-------|------------|------------|
| | | | SL125 | K1 K2 | | |
| 1 | 11911-331-670 | PROTECTOR, CRANKCASE | 1 | 1 | | |
| 2 | 17247-303-000 | GROMMET, AIR CLEANER CASE | 4 | 4 | | A, D, F, G |
| | 95020-52030 | RUBBER, B3, MOUNT | 4 | 4 | | |
| 3 | 32907-331-000 | CLIP, A. C. GENERATOR CORD | 1 | 1 | | |
| 4 | 32908-107-700 | CLIP, COMBINATION SWITCH CORD | 1 | 1 | | |
| 5 | 50100-110-710B | BODY COMP., FRAME | 1 | | | D, E |
| | 50100-331-611AU | BODY COMP., FRAME | 1 | | | G |
| | 50107-331-623AU | BOJY COMP., FRAME | 1 | | | F |
| | 50100-331-771B | BODY COMP., FRAME | 1 | 1 | | A |
| 6 | 50301-041-305 | RACE, STEERING TOP BALL | 2 | 2 | | |
| 7 | 50351-110-030AU | PLATE, R. ENGINE HANGER | 1 | | | F, G |
| | 50351-110-030B | PLATE, R. ENGINE HANGER | 1 | 1 | | A, D, E |
| 8 | 50352-110-030AU | PLATE, L. ENGINE HANGER | 1 | | | F, G |
| | 50352-110-030B | PLATE, L. ENGINE HANGER | 1 | 1 | | A, D, E |
| 9 | 50353-107-000 | PLATE, R. ENGINE UPPER HANGER | 1 | 1 | | |
| 10 | 50354-107-010 | PLATE, L. ENGINE UPPER HANGER | 1 | 1 | | |
| 11 | 50356-107-000 | RECEIVER, CLUTCH CABLE | 1 | 1 | | |
| 12 | 50710-110-781 | HOLDER ASSY., HELMET | 1 | 1 | | |
| 13 | 83551-300-000 | GROMMET, AIR CLEANER CASE | 2 | 2 | | |
| 14 | 87125-041-680 | PLATE, NAME | 1 | | | D, E |
| 15 | 87501-331-610 | PLATE, REGISTERED NUMBER | 1 | | | G |
| | 87501-331-620 | PLATE, REGISTERED NUMBER 87501-331-621 | 1 | | 1158035 | F |
| | 87501-331-621 | PLATE, REGISTERED NUMBER | 1 | | 1158036 | F |
| 16 | 87506-045-000 | L BEL C, CAUTION | 1 | 1 | | A |
| 17 | 87506-331-770 | MARK, BATTERY CAUTION | 1 | 1 | | |
| 18 | 90164-028-000 | SCREW, U LOCK FLAT, 6X12 | 2 | 2 | | |
| 19 | 90841-001-000 | SCREW, RIVET, 1.5X5 | 2 | | | F, G |
| 20 | 92000-08016-0A | BOLT, HEX., 8X16 | 4 | 4 | | |
| 21 | 94030-08000 | NUT, HEX., 8MM | 7 | 7 | | |
| 22 | 94101-08000 | WASHER, PLAIN, 8MM | 10 | 10 | | |
| 23 | 94111-08000 | WASHER, SPRING, 8MM | 9 | 9 | | |
| 24 | 95300-08070 | BOLT, HEX., 8X70 | 3 | 3 | | |
| 25 | 95300-08090 | BOLT, HEX., 8X90 | 2 | 2 | | |
| 26 | 95300-08111 | BOLT, HEX., 8X111 | 2 | 2 | | |