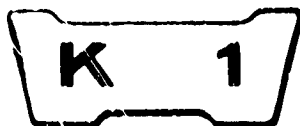
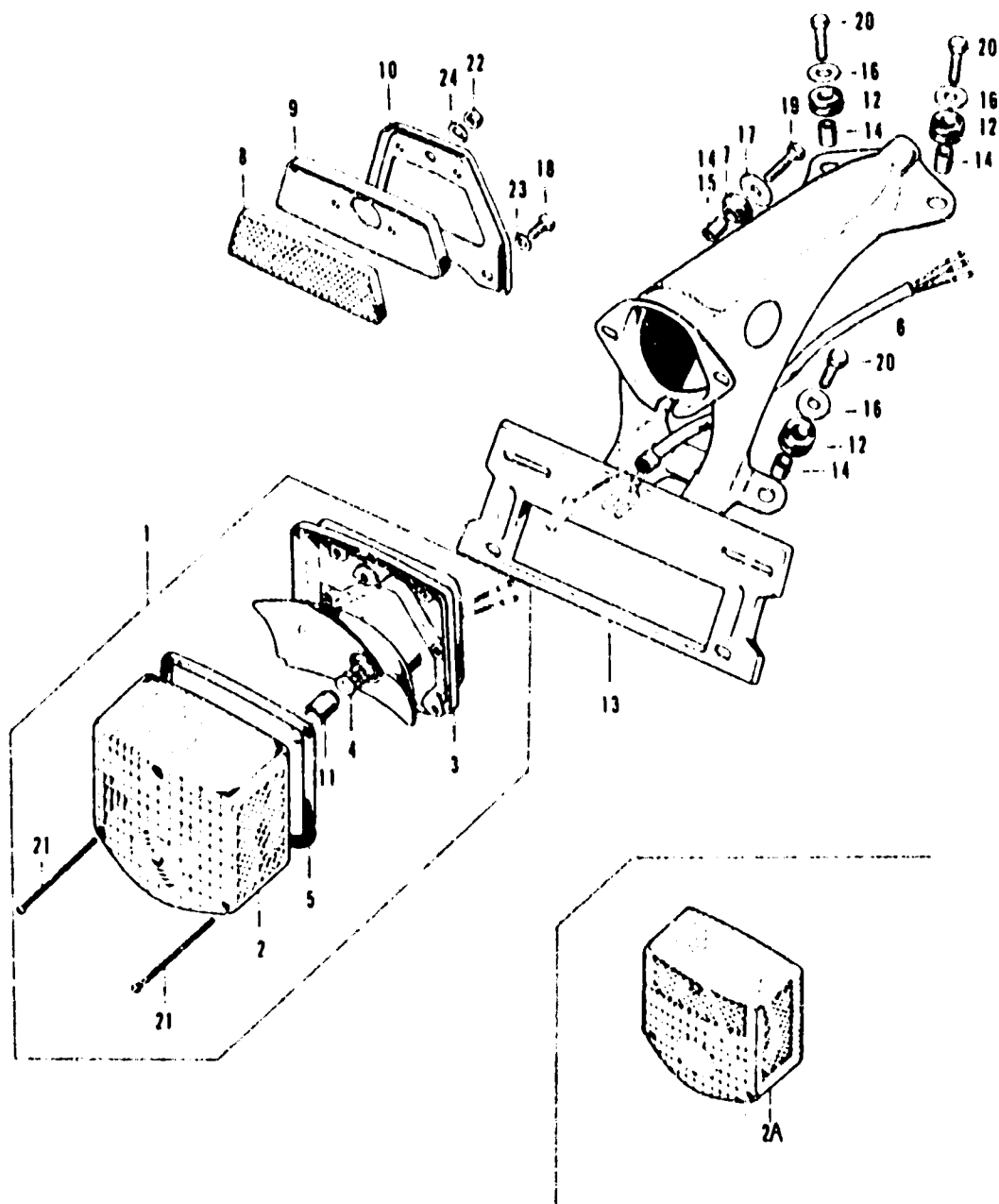


F-17 Tail Light (Used for A. Type)



F-17 Tail Light (Used for A. Type)



Ref. No.	Part No.	Description	Reqd. No.		Serial No.	Area Code
			SL125	K1 K2		
1	33701-092-671	TAILLIGHT UNIT	1		1124420	A
	33701-329-671	TAILLIGHT UNIT	1	1	1124421	A
2	33702-092-671	LENS; TAIL LIGHT	1		1124420	A
2A	33702-329-671	LENS; TAILLIGHT	1	1	1124421	A
3	33703-092-671	BASE; TAIL LIGHT	1		1124420	A
	33703-329-670	BASE; TAILLIGHT	1	1	1124421	A
4	33708-341-671	CORD COMP.; TAILLIGHT	1	1		A
5	33709-092-671	PACKING; TAILLIGHT LENS	1	1		A
6	33711-331-770	CORD; TAIL LIGHT SUB	1	1		A
7	33719-077-671	PACKING B; TAILLIGHT BASE	2	2		A
8	33746-092-671	LENS COMP.; REFLEX REFLECTOR	1		1124420	A
9	33747-092-671	BASE; REFLEX REFLECTOR	1		1124420	A
10	33749-092-670	STAY; BACK REFLECTOR	1		1124420	A
11	34906-041-671	BULB; TAIL & STOP LIGHT (6V 17/5.3W)	1		1124420	A
	34906-329-671	BULB; TAIL & STOP LIGHT (6V 32/3CP)	1	1	1124421	A
				1		
12	80101-283-000	RUBBER; RR. FENDER CUSHION	4	4		A
13	84700-331-773XM	BRACKET; NUMFR PLATE	1	1		A
14	84706-286-000	COLLAR; NUMBER BRACKET SET /1124420(6)	4	4	1124421	A
				4		
15	84706-341-000	COLLAR; NUMFR PLATE BRACKET	2	2	1124421	A
				2		
16	90525-030-000	WASHER B; HANDLE HOLDER FITTING	4	4		A
17	90581-310-000	WASHER; PLAIN; 20MM	2	2		A
18	92000-05012-0A	BOLT; HEX.; 5X12	2		1124420	A
19	92000-05020-0A	BOLT; HEX.; 5X20	2	2		A
20	92000-06016	BOLT; HEX.; 6X16	4	4		A
21	93500-04055-0A	SCREW; PAN; 4X55	3	3		A
22	94001-06000	NUT; HEX.; 6MM	1		1124420	A
23	94111-05000	WASHER; SPRING; 5MM	2		1124420	A
24	94111-06000	WASHER; SPRING; 6MM	1		1124420	A