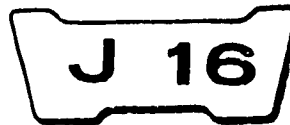
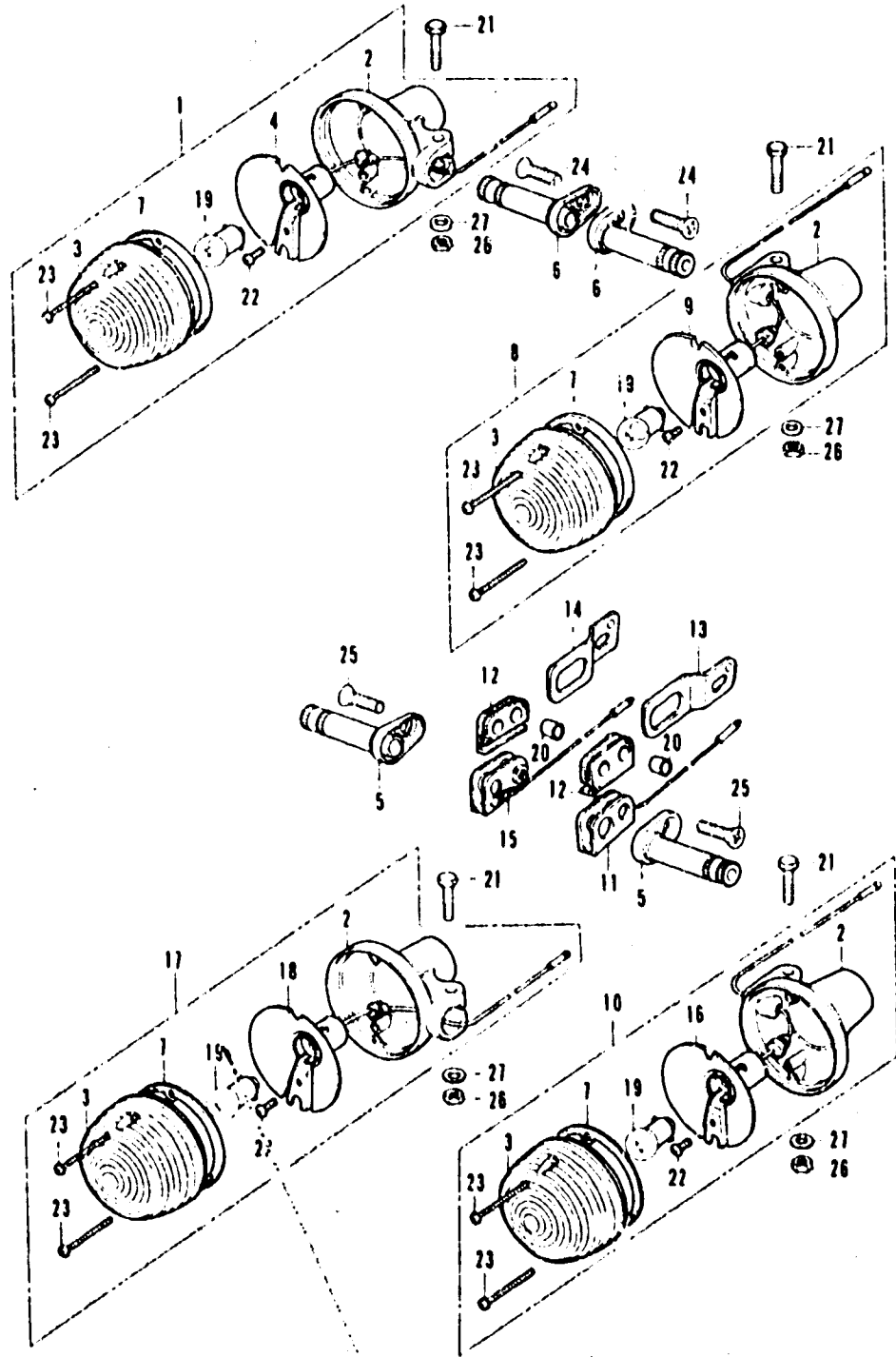


F-16-3 Winker (Used for E. Type)



F-16-3 Winker (Used for E. Type)



| Ref. No. | Part No. | Description | Reqd. No. | | Serial No. | Area Code |
|----------|----------------|-----------------------------|-----------|-------|------------|-----------|
| | | | SL123 | K1 K2 | | |
| 1 | 33400-056-671 | LIGHT ASSY., R. FR. WINKER | 1 | | | F |
| 2 | 33401-292-003 | BASE, WINKER (STANLEY) | 4 | | | F |
| 3 | 33402-268-671 | LENS, FR. WINKER | 4 | | | F |
| 4 | 33410-056-671 | SOCKET COMP., R. FR. WINKER | 1 | | | F |
| 5 | 33441-028-670 | STAY, FR. WINKER | 2 | | | F |
| 6 | 33441-107-670 | STAY, FR. WINKER | 2 | | | F |
| 7 | 33443-268-671 | PACKING, FR. WINKER LENS | 4 | | | F |
| 8 | 33450-056-671 | LIGHT ASSY., L. FR. WINKER | 1 | | | F |
| 9 | 33460-056-671 | SOCKET COMP., L. FR. WINKER | 1 | | | F |
| 10 | 33600-056-671 | LIGHT ASSY., R. RR. WINKER | 1 | | | F |
| 11 | 33605-110-000 | STOPPER, R. RR. WINKER | 1 | | | F |
| 12 | 33606-074-010 | RUBBER, RR. WINKER MOUNT | 2 | | | F |
| 13 | 33607-331-000 | STAY, R. RR. WINKER | 1 | | | F |
| 14 | 33608-331-000 | STAY, L. RR. WINKER | 1 | | | F |
| 15 | 33609-110-000 | STOPPER, L. RR. WINKER | 1 | | | F |
| 16 | 33610-056-671 | SOCKET, R. RR. WINKER | 1 | | | F |
| 17 | 33650-056-671 | LIGHT ASSY., L. RR. WINKER | 1 | | | F |
| 18 | 33660-056-671 | SOCKET, L. RR. WINKER | 1 | | | F |
| 19 | 34905-056-671 | BULB, WINKER (6V 18W) | 1 | | | F |
| 20 | 80108-061-010 | COLLAR A, RR. FENDER | 2 | | | F |
| 21 | 93000-06028-02 | BOLT, HEX., 6X28 | 4 | | | F |
| 22 | 93500-03005-08 | SCREW, PAN, 3X5 | 4 | | | F |
| 23 | 93500-03025-08 | SCREW, PAN, 3X25 | 8 | | | F |
| 24 | 93700-06016 | SCREW, OVAL, 6X16 | 2 | | | F |
| 25 | 93700-06025 | SCREW, OVAL, 6X25 | 2 | | | F |
| 26 | 94001-06000 | NUT, HEX., 6MM | 4 | | | F |
| 27 | 94101-06000 | WASHER, PLAIN, 6MM | 4 | | | F |

B331-51