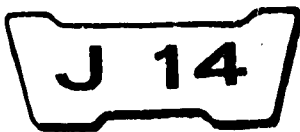
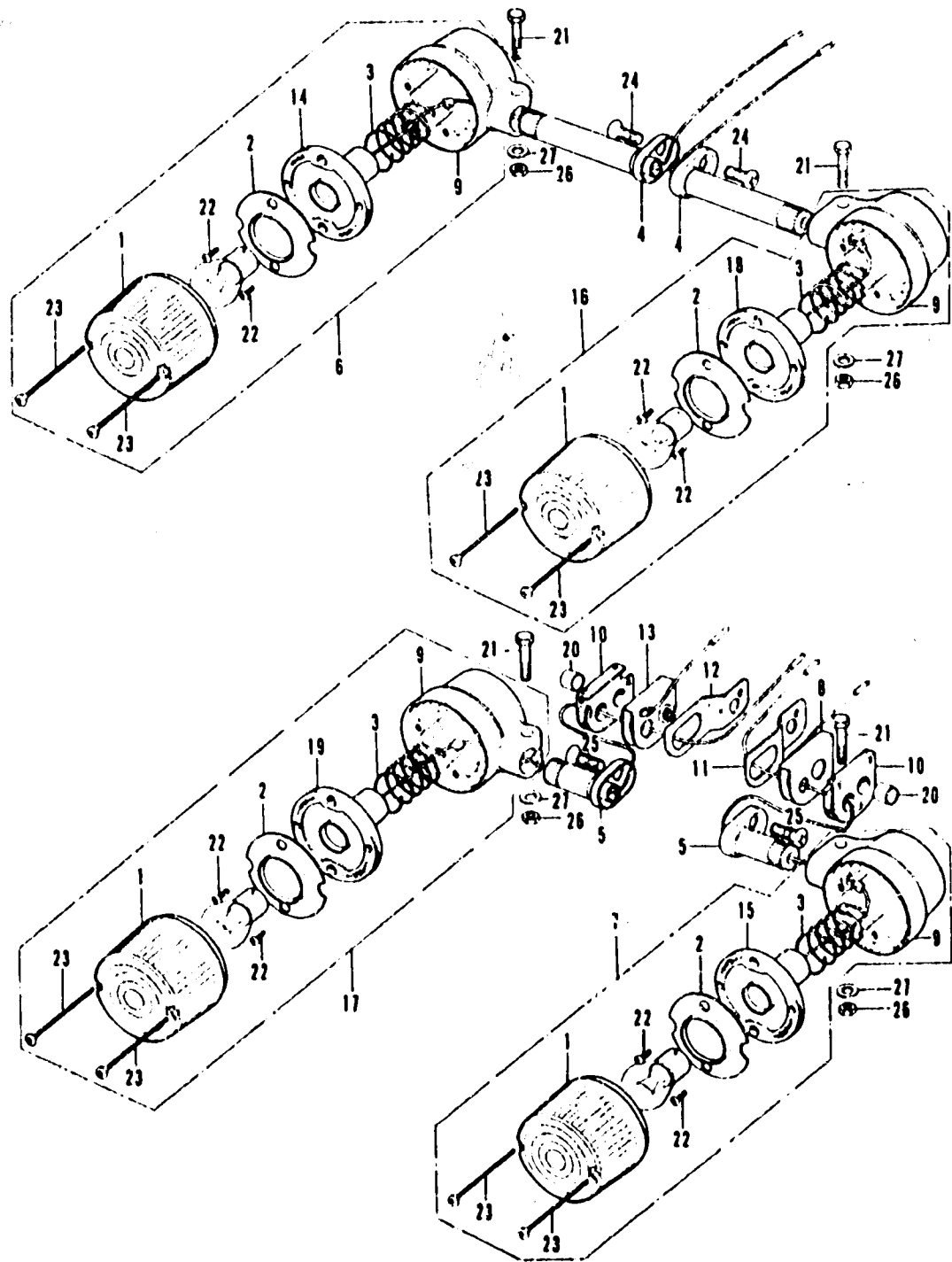


F-16-1 Winker (Used for G. Type)



F-16-1 Winker (Used for G. Type)



Ref. No.	Part No.	Description	Reqd. No.		Serial No.	Area Code
			SL125	K1 K2		
1	33402-268-610	LENS, FR. WINKER	4			G
2	33411-285-000	RING, WINKER	4		1132230	G
	33403-285-010	RING, WINKER	4		1132231	G
3	33413-285-000	SPRING, COIL	4			G
4	33441-028-670	STAY, FR. WINKER	2			G
5	33441-107-610	STAY, FR. WINKER	2			G
6	33600-304-610	WINKER ASSY., R. RR.	1		1132230	G
	33600-304-611	WINKER ASSY., R. RR.	1		1132231	G
7	33600-331-610	WINKER ASSY., R. RR.	1		1132230	G
	33600-331-611	WINKER ASSY., R. RR.	1		1132231	G
8	33605-110-000	STOPPER, R. RR. WINKER	1			G
9	33605-292-610	BASE, WINKER	4			G
10	33606-074-010	RUBBER, RR. WINKER MOUNT	2			G
11	33607-331-000	STAY, R. RR. WINKER	1			G
12	33608-331-000	STAY, L. RR. WINKER	1			G
13	33609-110-000	STOPPER, L. RR. WINKER	1			G
14	33610-292-610	SOCKET ASSY., R. RR. WINKER	1			G
15	33610-331-610	SOCKET, R. RR. WINKER	1			G
16	33650-304-610	WINKER ASSY., L. RR.	1		1132230	G
	33650-304-611	WINKER ASSY., L. RR.	1		1132231	G
17	33650-331-610	WINKER ASSY., L. RR.	1		1132230	G
	33650-331-611	WINKER ASSY., L. RR.	1		1132231	G
18	33660-292-610	SOCKET ASSY., L. RR. WINKER	1			G
19	33660-331-610	SOCKET, L. RR. WINKER	1			G
20	80108-061-010	COLLAR A, RR. FENDER	2			G
21	93000-06028	BOLT, HEX., 6X28	4			G
22	93500-03010-0A	SCREW, PAN, 3X10	8			G
23	93700-03045-0B	SCREW, OVAL, 3X45	8			G
24	93700-06016	SCREW, OVAL, 6X16	2			G
25	93700-06025	SCREW, OVAL, 6X25	2			G
26	94001-06000	NUT, HEX., 6MM	4			G
27	94101-06000	WASHER, PLAIN, 6MM	4			G