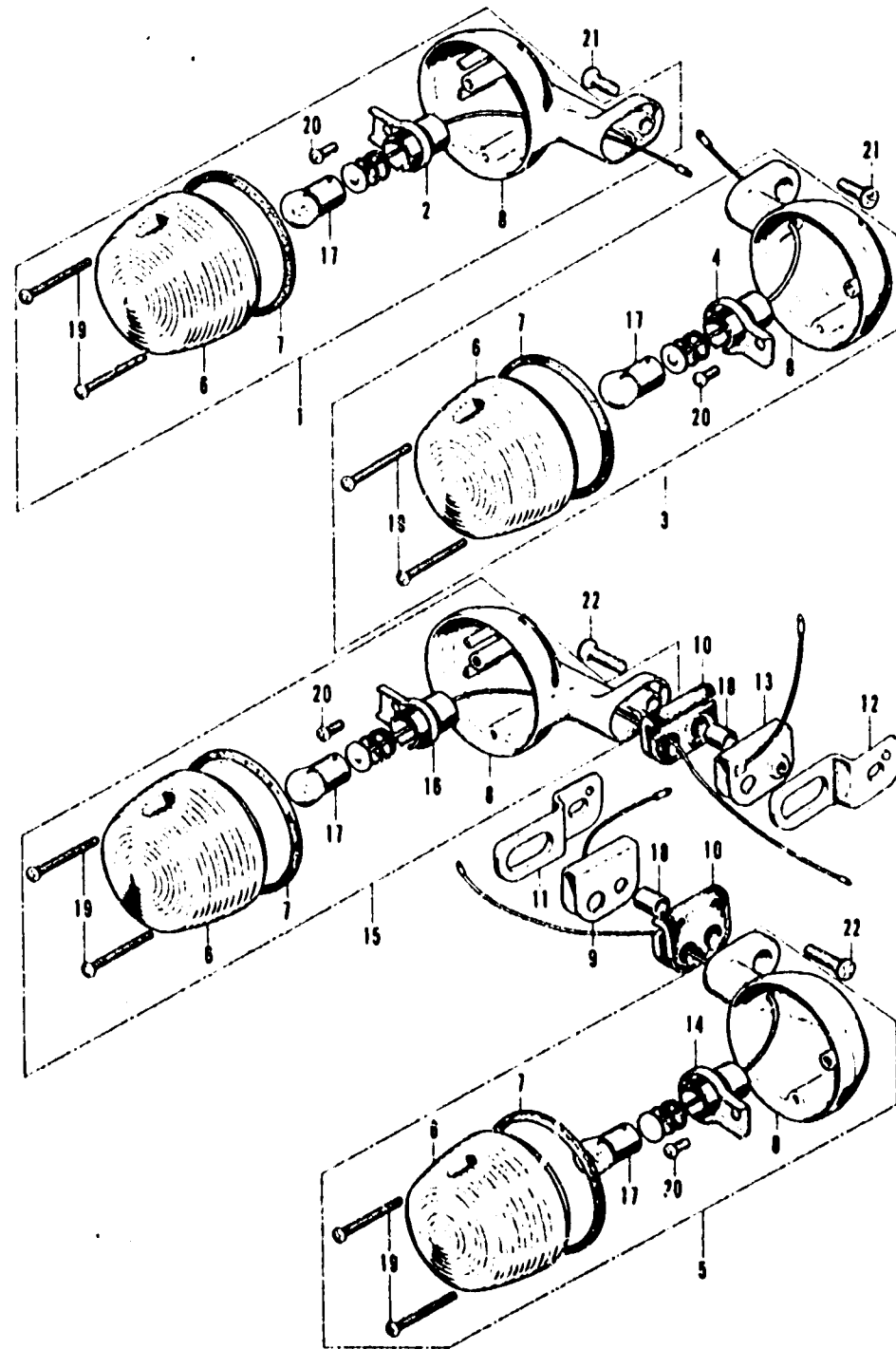


F-16 Winker (Used for F. Type)

F-16 Winker (Used for F. Type)



Ref. No.	Part No.	Description	Reqd. No.		Serial No.	Area Code
			SL125	K1 K2		
1	33400-074-000XW	LIGHT ASSY., R. FR. WINKER	1			F
2	33410-074-000	SOCKET COMP., R. FR. WINKER	1			F
3	33450-074-000XW	LIGHT ASSY., L. FR. WINKER	1			F
4	33453-074-000	SOCKET COMP., L. FR. WINKER	1			F
5	33600-074-000XW	WINKER ASSY., R. RR.	1			F
6	33602-046-751	LENS, WINKER	4			F
7	33604-041-013	PACKING, RR. WINKER LENS	4			F
8	33605-028-712XW	BASE, RR. WINKER	4			F
9	33605-110-000	STOPPER, R. RR. WINKER	1			F
10	33606-074-010	RUBBER, RR. WINKER MOUNT	2			F
11	33607-331-000	STAY, R. RR. WINKER	1			F
12	33608-331-000	STAY, L. RR. WINKER	1			F
13	33609-110-000	STOPPER, L. RR. WINKER	1			F
14	33610-074-000	SOCKET COMP., R. RR. WINKER	1			F
15	33650-074-000XW	WINKER ASSY., L. RR.	1			F
16	33655-074-000	SOCKET COMP., L. RR. WINKER	1			F
17	34905-035-000	BULB, WINKER (6V 8W)	4			F
18	80108-061-010	COLLAR A, RR. FENDER	2			F
19	93500-03012-0A	SCREW, PAN, 3X12	8			F
20	93500-04006-0A	SCREW, PAN, 4X6	4			F
21	93700-06016	SCREW, OVAL, 6X16	2			F
22	93700-06025	SCREW, OVAL, 6X25	2			F