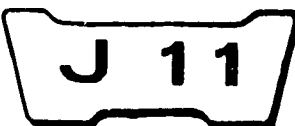
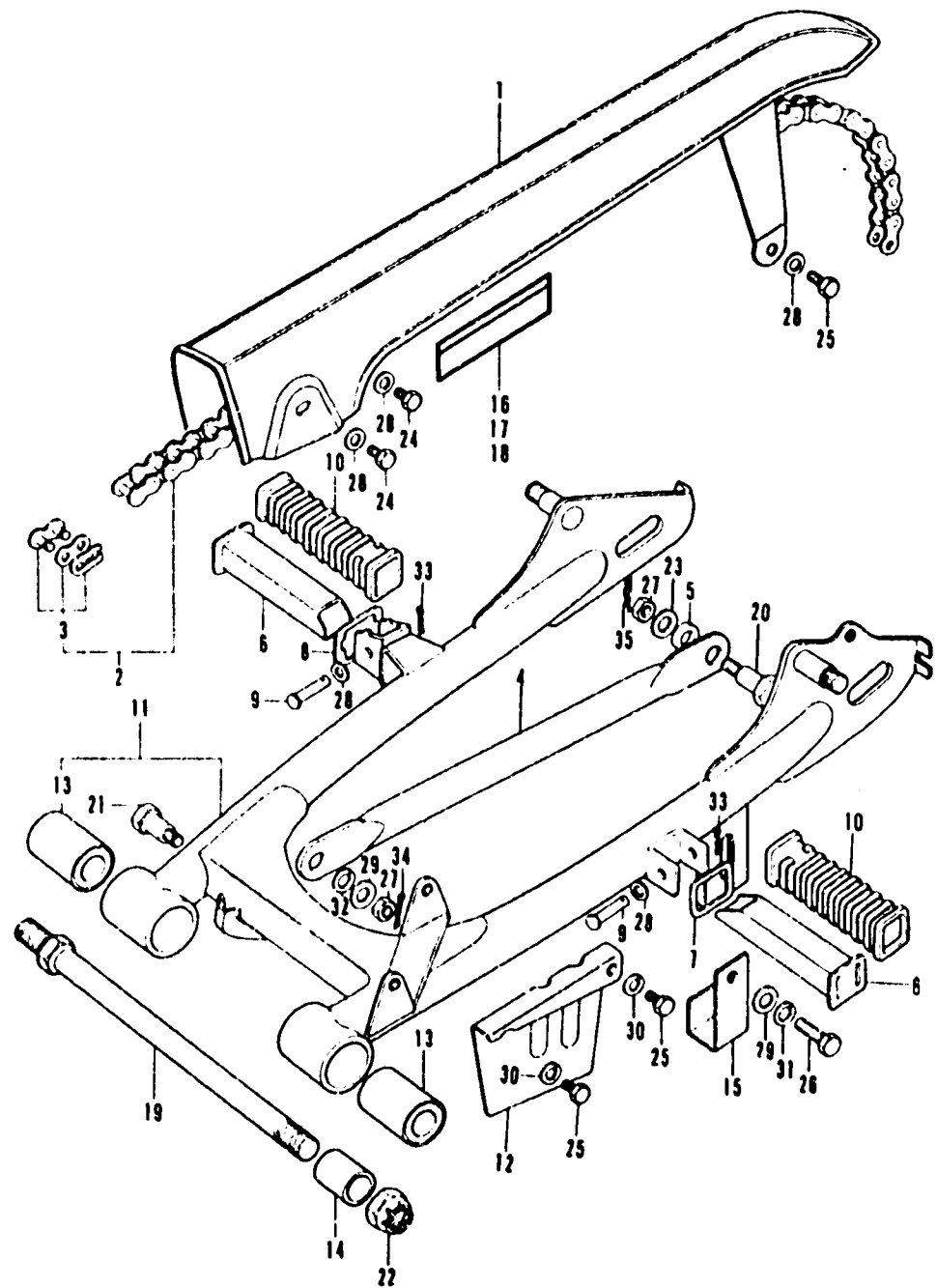


F-15-1 Rear Fork - Chain Case (Used for D. E. F. G. Types)



F-15-1 Rear Fork - Chain Case (Used for D. E. F. G. Types)



Ref. No.	Part No.	Description	Reqd. No.		Serial No.	Area Code
			SL125	K1 K2		
1	40510-331-671XW	CASE, DRIVE CHAIN	1			D,E,F,G
2	40530-110-771	CHAIN, DRIVE (108L DA100)	1			F,F
	40530-331-671	CHAIN, DRIVE (OK428H 110L)	1			D,G
3	40531-355-003	JOINT, DRIVE CHAIN (DA100)	1			D,E,F,G
4	43431-331-770	ARM, RR. BRAKE STOPPER	1			D,E,F,G
5	43434-286-000	RUBBER, STOPPER ARM CUSHION	1			D,E,F,G
6	50701-024-010	ARM, PILLION STEP	2			D,F,G
	95015-61000	BAR A, PILLION STEP	2			D,E,F,G
7	50712-024-000	WASHER, PILLION STEP	1			D,F,G
	95015-91000	WASHER, PILLION STEP	1			D,E,F,G
8	50712-110-710	WASHER, R. PILLION STEP	1			D,E,F,G
9	50715-024-000	PIN, PILLION STEP	2			D,F,G
	95015-81000	PIN A, PILLION STEP	2			D,E,F,G
10	50731-024-000	RUBBER, PILLION STEP	2			D,F,G
	95011-31000	RUBBER A, PILLION STEP	2			D,E,F,G
11	52100-110-710AU	FORK COMP., RR.	1			F,G
	52100-110-710B	FORK COMP., RR.	1			D,E
12	52101-331-770	PROTECTOR, DRIVE CHAIN	1			D,E,F,G
13	52108-028-000	BUSH, RR. FORK PIVOT RUBBER	2			D,E,F,G
14	52145-331-000	COLLAR, RR. FORK PIVOT BOLT DISTANCE	1			D,E,F,G
15	52156-074-000	GUARD, CHAIN	1			D,E,F,G
16	87505-331-680	MARK, TIRE CAUTION	1			D,E
17	87507-331-610	MARK, TIRE CAUTION	1		1146745	G
	87505-331-680	MARK, TIRE CAUTION	1		1146746	G
18	87507-331-620	MARK, TIRE CAUTION	1		1129790	F
	87505-331-680	MARK, TIRE CAUTION	1		1129791	F
19	90121-331-000	BOLT, RR. FORK PIVOT	1			D,E,F,G
20	90127-001-010	BOLT, RR. BRAKE TORQUE	1			D,E,F,G

B110-94