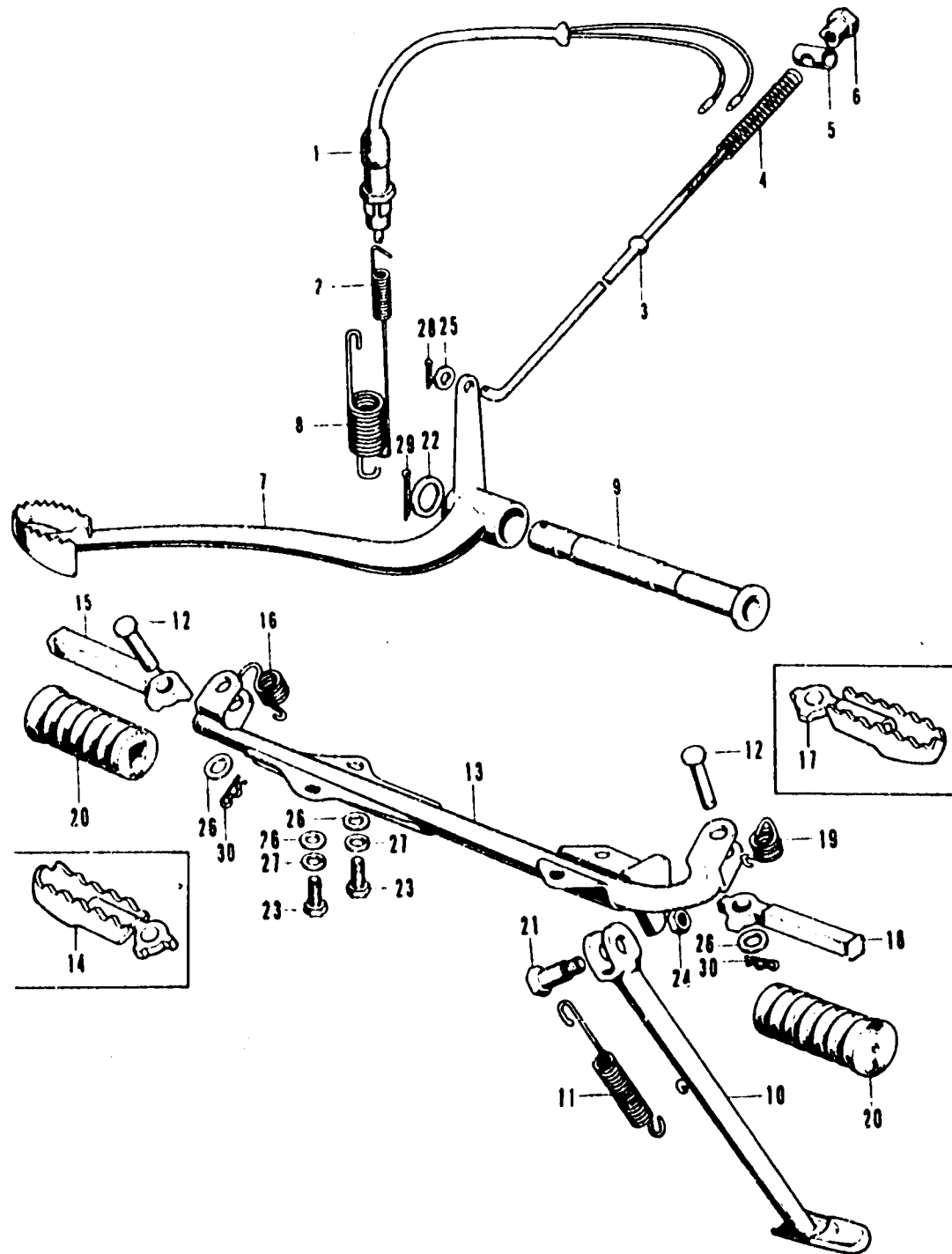


F-14 Step Bar • Side Stand • Brake Pedal



F-14 Step Bar • Side Stand • Brake Pedal



Ref. No.	Part No.	Description	Reqd. No.		Serial No.	Area Code
			SL125	K1 K2		
1	35350-292-003	SWITCH ASSY., STOP (10YD)	1	1		
2	35357-107-010	SPRING, STOP SWITCH	1	1		
3	43450-331-770	ROD, RR. BRAKE	1	1		
4	43472-001-000	SPRING, RR. BRAKE ROD	1	1		A, D, F, G
	95014-73100	SPRING A, BRAKE ROD	1	1		
5	45461-001-000	JOINT, FR. BRAKE ARM	1	1		A, D, F, G
	95015-31000	JOINT A, BRAKE ARM	1	1		
6	45462-028-000	NUT, FR. BRAKE ADJUSTING	1	1		A, D, F, G
	95015-41000	NUT A, BRAKE ROD ADJUST	1	1		
7	46500-331-771CT	PEDAL COMP., BRAKE	1	1		
	46500-331-771SG					
8	46514-107-010	SPRING, BRAKE PEDAL	1	1		
9	50526-331-000	PIPE, MAIN STAND PIVOT	1	1		
10	50530-110-700B	BAR COMP., SIDE STAND	1		1129790 F	
	50530-331-770B	BAR COMP., SIDE STAND	1	1	1129791	F, A, D, F, G
11	50542-046-750	SPRING, SIDE STAND	1	1		A, D, F, G
	95014-72101	SPRING A, SIDE STAND	1	1		
12	50603-033-600	PIN, STEP BAR JOINT	2	2		
13	50610-331-670B	BAR COMP., STEP	1			
	50610-110-790B	BAR COMP., STEP		1		
14	50616-110-790	ARM COMP., R. STEP		1		
15	50616-331-000	ARM COMP., R. STEP		1		
16	50617-283-000	SPRING, R. STEP RETURN	1	1		
17	50642-110-790	ARM COMP., L. STEP		1		
18	50642-331-000	ARM COMP., L. STEP		1		
19	50644-283-000	SPRING, L. STEP RETURN	1	1		
20	50661-331-770	RUBBER, STEP		2		
21	90108-223-000	SCREW, SIDE STAND PIVOT	1	1		
22	90521-028-000	WASHER, 17X22	1	1		
23	92000-U8016-0A	BOLT, HEX., 8X16	4	4		
24	94002-10000-0S	NUT, HEX., 10MM	1	1		
25	94101-06000	WASHER, PLAIN, 6MM	1	1		
26	94101-08000	WASHER, PLAIN, 8MM	6	6		
27	94111-08000	WASHER, SPRING, 8MM	4	4		
28	94201-16150	PIN, SPLIT, 1.6X15	1	1		
29	94201-30250	PIN, SPLIT, 3.0X25	1	1		
30	94251-08000	PIN, LOCK, 8MM	2	2		

B110-86