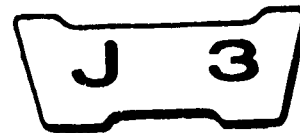
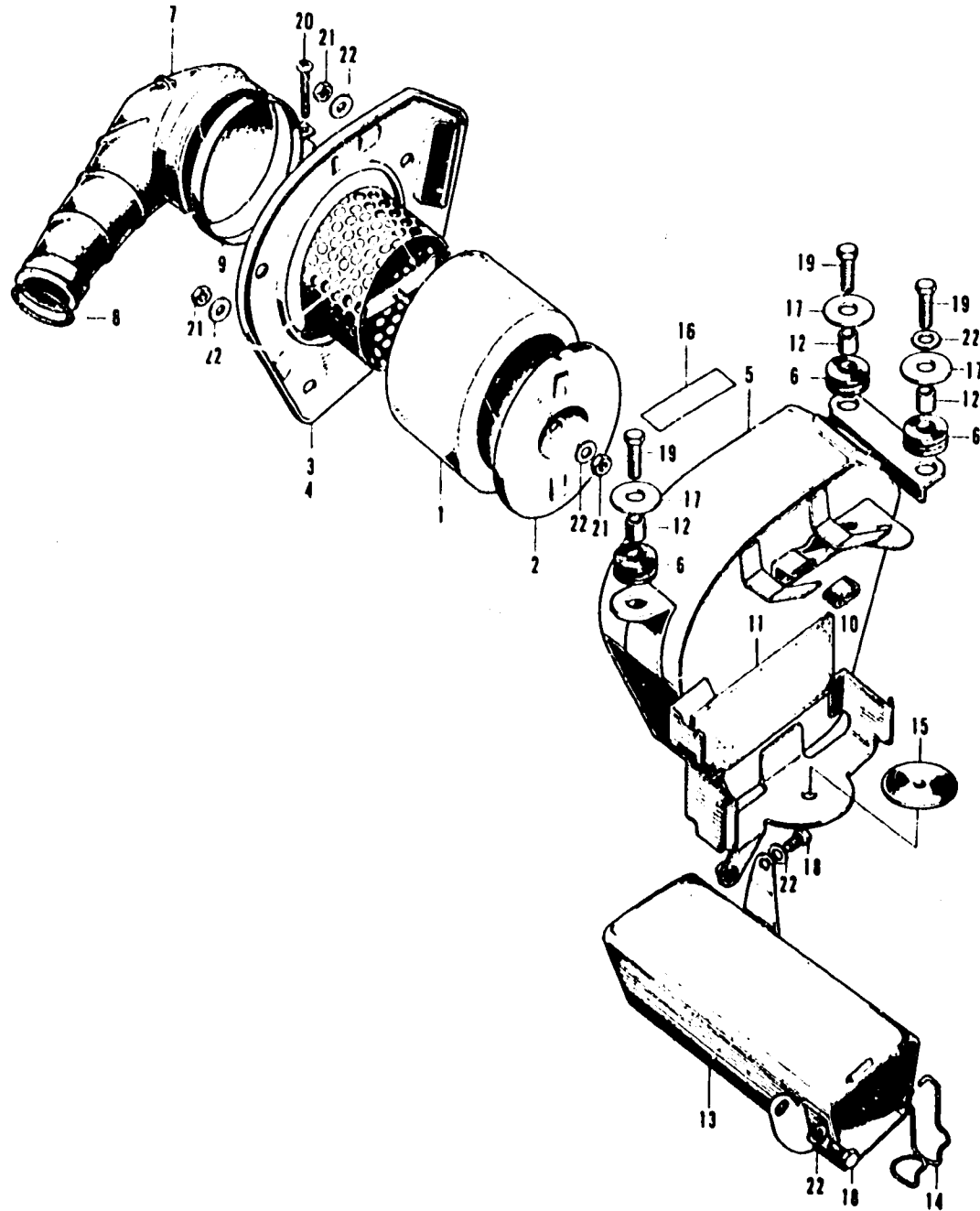


F-10 Air Cleaner • Tool Box



F-10 Air Cleaner • Tool Box



Ref. No.	Part No.	Description	Reqd. No.		Serial No.	Area Code
			SL125	K1 K2		
1	17211-107-020	ELEMENT, AIR CLEANER	1	1		
2	17212-107-780	CAP, AIR CLEANER ELEMENT	1	1		
3	17228-107-780	COVER ASSY., AIR CLEANER CASE	1	1		A+D
4	17229-331-620	COVER ASSY., AIR CLEANER CASE	1			F,F,G
5	17230-331-620	CASE COMP., AIR CLEANER	1	1		
6	17245-107-010	RUBBER, AIR CLEANER CASE MOUNT	3	3		
7	17253-107-780	TUBE, AIR CLEANER CONNECTING	1	1		
8	17255-028-000	BAND A, CLEANER CONNECTING TUBE	1	1		
9	17255-107-000	BAND, CLEANER CONNECTING TUBE	1	1		
10	31503-044-670	RUBBER B, BATTERY MOUNT	1	1		
11	31511-107-700	RUBBER B, BATTERY MOUNT	1	1		
12	33603-053-650	COLLAR, RR. WINKER STAY	3	3		
13	83500-107-040	BOX COMP., TOOL	1	1		
14	83510-107-000	SPRING, TOOL BOX CAP	1	1		
15	83618-307-000	RUBBER C, BATTERY DISTANCE	1	1		
16	87506-340-670	MARK, AIR CLEANER CAUTION	1	1		
17	90563-706-000	WASHER, WHEEL, 6MM	3	3		
18	92000-06012	BOLT, HEX., 6X12	2	2		
19	92000-06025	BOLT, HEX., 6X25	3	3		
20	93500-04025-0A	SCREW, PAN, 4X25	1	1		
21	94001-06000	NUT, HEX., 6MM	4	4		
22	94101-06000	WASHER, PLAIN, 6MM	7	7		

B110-24