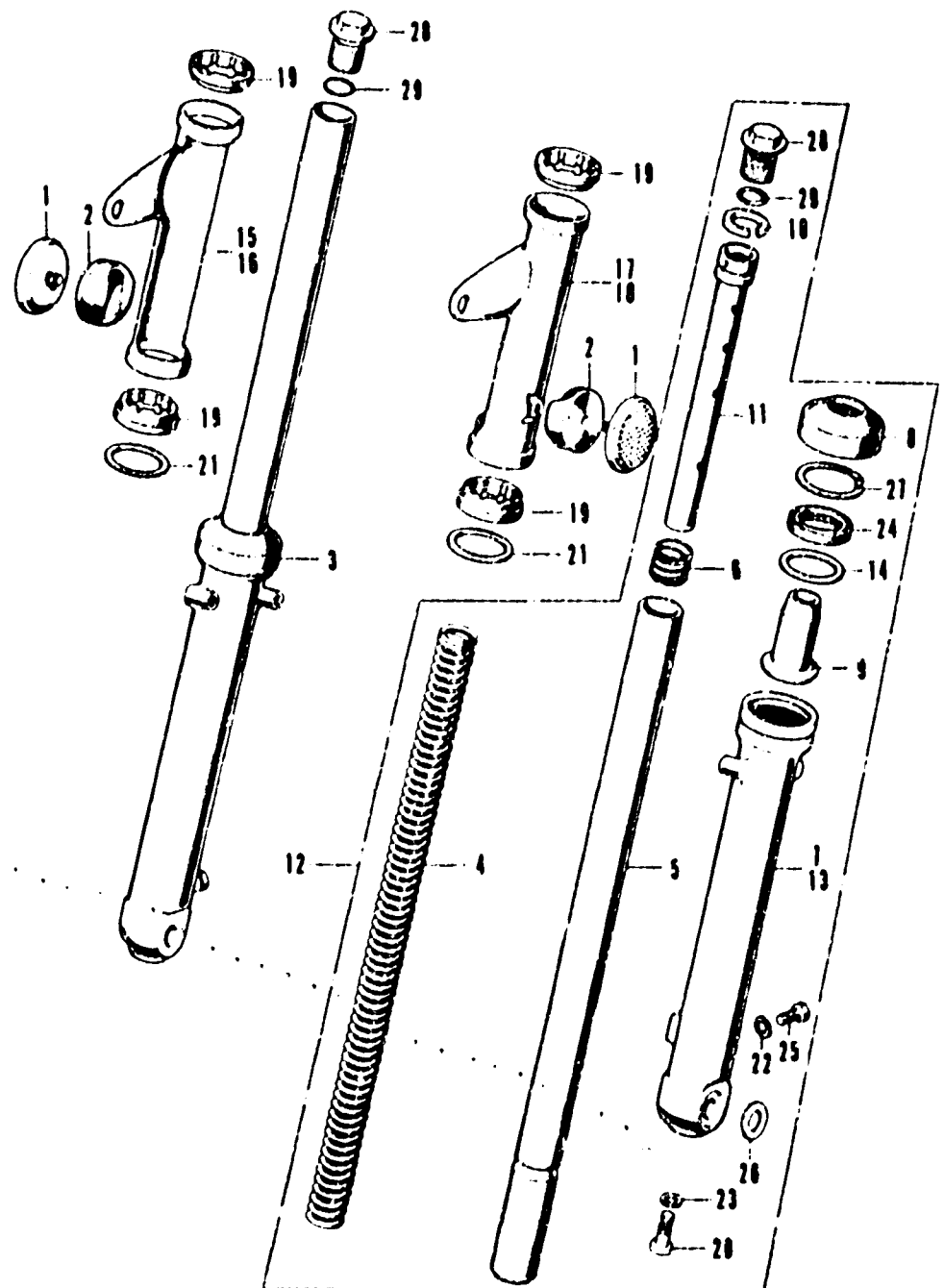


F-6 Front Fork

F-6 Front Fork



Ref. No.	Part No.	Description	Req. No. SL125 K1, K2	Serial No.	Area Code	
1	33741-331-000	REFLECTOR, FR. REFLEX	2	1132846	F, D, E, G	
	33741-340-670	REFLECTOR, FR. REFLEX	2 2		A	
2	33744-045-670	HASE, FR. REFLECTOR	2	1132846	F, D, E, G	
	33744-331-770	HASE, FR. REFLECTOR	2 2		A	
3	51400-331-773	FORK ASSY., R. FR.	1	1104460	A	
	51400-331-774	FORK ASSY., P. FR. 51400-110-791	1	1104461	1130905	A, D, F, G
	51400-110-791	FORK ASSY., R. FR.	1	1130906	D, F, G	
			1		F	
4	51401-331-771	SPRING, FR. CUSHION	2 2			
5	51410-331-771	PIPE COMP., FR. FORK 51410-110-791	2	1130905	A, D, F, G	
	51410-110-791	PIPE COMP., FR. FORK	2	1130906	D, F, G	
			2		F	
6	51412-331-770	SPRING, FR. CUSHION REBOUND	2 2			
7	51421-331-771	CASE, R. FR. FORK BOTTOM 51421-110-791	1	1130905	A, D, F, G	
	51421-110-791	CASE, R. FR. FORK BOTTOM	1	1130906	D, F, G	
			1		F	
8	51425-110-003	SEAL, FR. FORK DUST	2 2			
9	51432-331-770	PIECE, OIL LOCK	2 2			
10	51437-331-770	RING, PISTON	2 2			
11	51440-331-772	SEAT COMP., UNDER	2	1104460	A	
	51440-331-773	SEAT COMP., UNDER	2	1104461	A, D, F, G	
			2		F	
12	51500-331-773	FORK ASSY., L. FR.	1	1104460	A	
	51500-331-774	FORK ASSY., L. FR. 51500-110-791	1	1104461	1130905	A, D, F, G
	51500-110-791	FORK ASSY., L. FR.	1	1130906	D, F, G	
			1		F	
13	51521-331-771	CASE, L. FR. FORK BOTTOM 51521-110-791	1	1130905	A, D, F, G	
	51521-110-791	CASE, L. FR. FORK BOTTOM	1	1130906	D, F, G	
			1		F	
14	51580-331-770	SPACER, OIL SEAL	2			
15	61311-331-000XM	STAY, R. HEAD LIGHT CASE	1	1132846	F, D, E, G	
	61311-331-770XM	STAY, R. HEAD LIGHT CASE	1		A	
	61311-331-620XM	STAY, R. HEAD LIGHT CASE	1	1132647	F	
16	61311-331-780XM	STAY, R. HEAD LIGHT CASE	1			