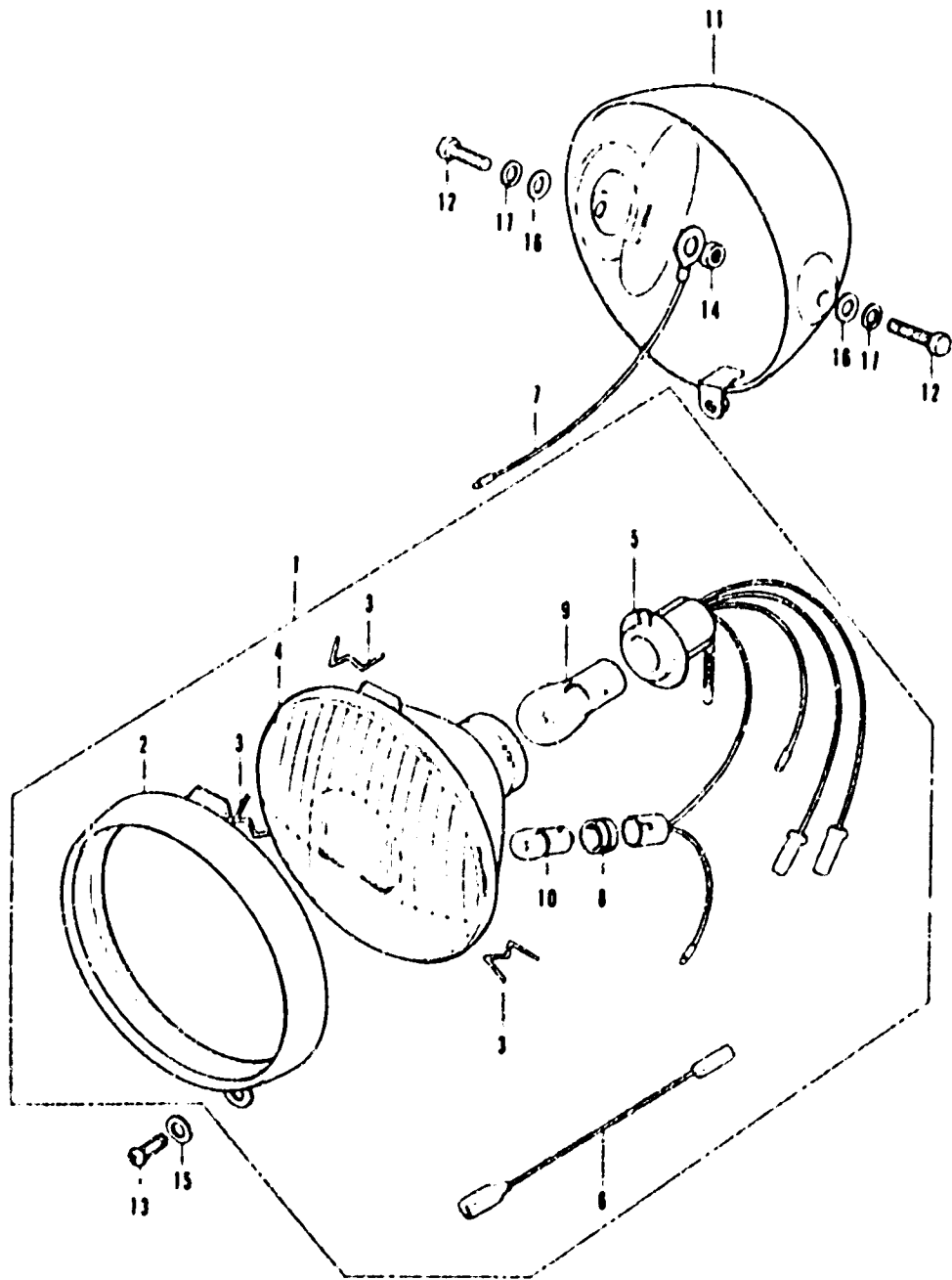


F-4-4 Head Light • Head Light Case (Used for E. Type)



F-4-4 Head Light • Head Light Case (Used for E. Type)

Ref. No.	Part No.	Description	Reqd. No. SI125 KI K2	Serial No.	Area Code
1	33100-107-601	LIGHT ASSY., HEAD (STANLEY)	1		F
2	33101-237-600	RIM, HEAD LIGHT	1		F
3	33108-268-000	SPRING, HEADLIGHT UNIT SET	3		F
4	33120-237-600	LIGHT UNIT, HEAD	1		F
5	33130-237-600	SOCKET, HEAD LIGHT	1		F
6	33164-107-600	CORD, POSITION LAMP SUB	1		F
7	33710-331-000	CORD, WINKER EARTH	1		F
8	33905-303-003	RUBBER, JOINT	1		F
9	34901-202-600	BULB, HEAD LIGHT (6V 15/35W) (LOCAL PROCUREMENT)	1		F
10	34902-202-600	BULB, DASH (6V 4W) (LOCAL PROCUREMENT)	1		F
11	41301-331-010MA	CASE, HEAD LIGHT	1		F
	61301-331-0107	CASE, HEAD LIGHT	1		F
12	92000-08016-CA	BOLT, HEX., 8X16	2		F
13	93500-05012-DA	SCRFW, PAN, 5X12	1		F
14	94030-08000	NUT, HEX., 8MM	1		F
15	94101-05000	WASHER, PLAIN, 5MM	1		F
16	94101-08000	WASHER, PLAIN, 8MM	2		F
17	94111-08000	WASHER, SPRING, 8MM	2		F



B324-5