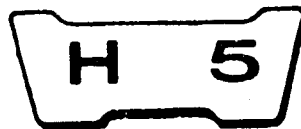
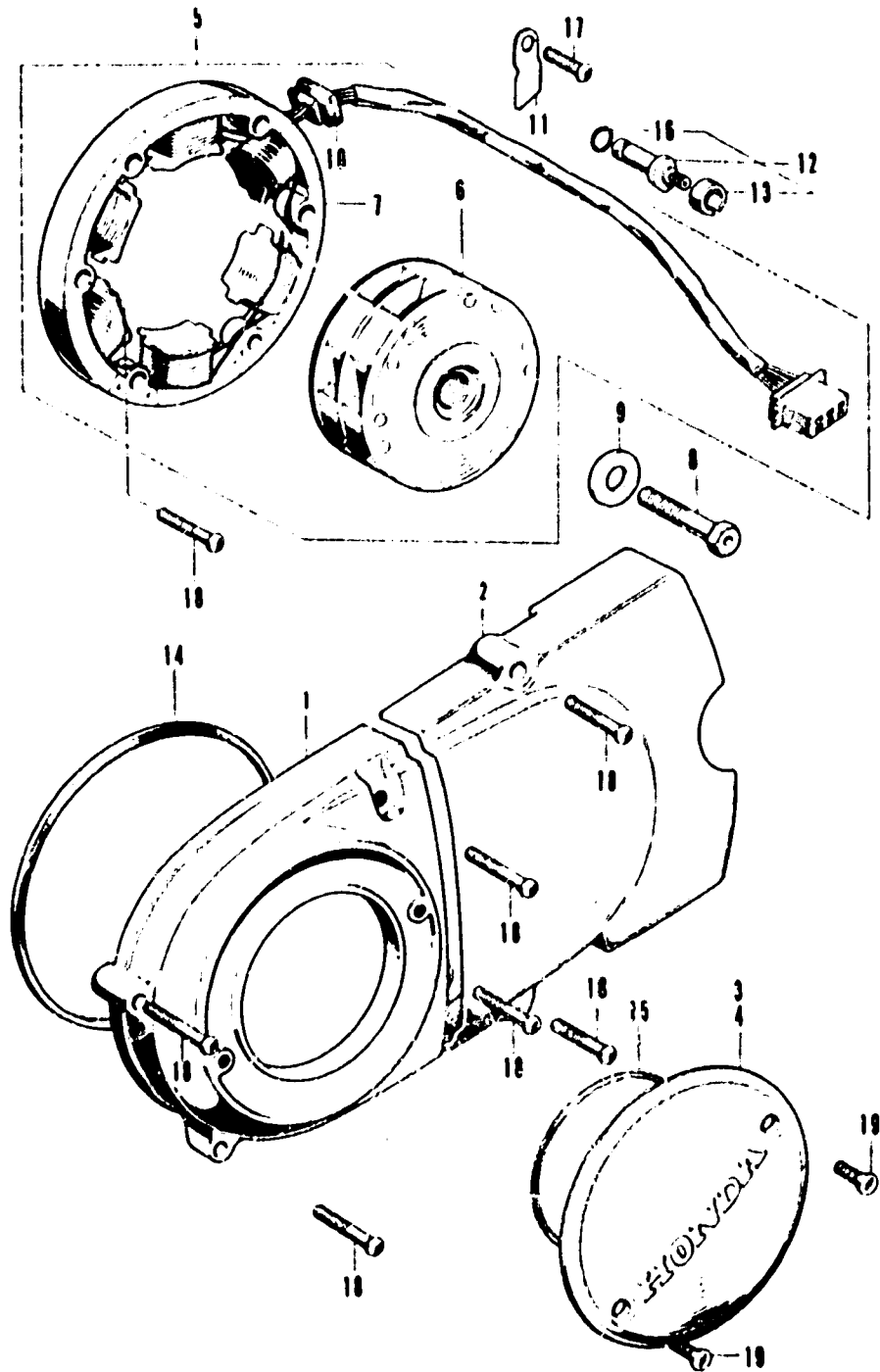


E-4 Left Crankcase Cover - A.C. Generator



E-4 Left Crankcase Cover - A.C. Generator



| Ref. No. | Part No. | Description | Reqd. No. | | Serial No. | Area Code |
|----------|----------------|--------------------------------|-----------|-------|------------|-----------|
| | | | SL125 | K1 K2 | | |
| 1 | 11341-324-000 | COVER COMP., L. CRANKCASE | 1 | 1 | | |
| 2 | 11361-107-000 | COVER, L. CRANKCASE RR. | 1 | 1 | | |
| 3 | 11431-107-760 | COVER, DYNAMO | | 1 | | |
| 4 | 11431-110-730 | COVER, DYNAMO | | 1 | | |
| 5 | 31100-324-013 | A.C. GENERATOR ASSY. (KOKUSAN) | 1 | 1 | | D,F |
| | 31100-324-014 | A.C. GENERATOR ASSY. (IND) | 1 | 1 | | D,F |
| | 31100-324-601 | A.C. GENERATOR ASSY. | 1 | 1 | | F,G |
| | 31100-331-673 | A.C. GENERATOR ASSY. (KOKUSAN) | 1 | 1 | | A |
| | 31100-331-674 | A.C. GENERATOR ASSY. (IND) | 1 | 1 | | A |
| 6 | 31101-107-013 | ROTOR COMP. (KOKUSAN) | 1 | 1 | | |
| | 31101-107-014 | ROTOR COMP. (IND) | 1 | 1 | | |
| 7 | 31102-324-013 | STATOR COMP. (KOKUSAN) | 1 | 1 | | D,F |
| | 31102-324-014 | STATOR COMP. (IND) | 1 | 1 | | D,F |
| | 31102-324-601 | STATOR COMP. | 1 | 1 | | F,G |
| | 31102-331-673 | STATOR COMP. (KOKUSAN) | 1 | 1 | | A |
| | 31102-331-674 | STATOR COMP. (IND) | 1 | 1 | | A |
| 8 | 31104-028-000 | BOLT, ROTOR SETTING | 1 | 1 | | |
| 9 | 31105-028-000 | WASHER, ROTOR SETTING | 1 | 1 | | |
| 10 | 32971-107-000 | GROMMET, A.C. GENERATOR CORD | 1 | 1 | | |
| 11 | 32976-117-000 | CLAMP, WIRE HARNESS | 1 | 1 | | |
| 12 | 35750-001-020 | CONTACT ASSY., NEUTRAL SWITCH | 1 | 1 | | |
| 13 | 35752-028-300 | SPEACER, NEUTRAL SWITCH | 1 | 1 | | |
| 14 | 91302-107-010 | GASKET, L. CRANKCASE COVER | 1 | 1 | | |
| | 91302-355-000 | GASKET, L. CRANKCASE COVER | 1 | 1 | | |
| 15 | 91309-302-000 | O-RING, 70X2.4 | 1 | 1 | | |
| 16 | 91312-107-000 | O-RING, 7X1.7 | 1 | 1 | | |
| 17 | 93500-06012 | SCREW, PAN, 6X12 | 1 | 1 | | |
| 18 | 93500-06032 | SCREW, PAN, 6X32 | 9 | 9 | | |
| 19 | 93700-05016-08 | SCREW, OVAL, 5X16 | 2 | 2 | | |

B110-4